

CODE: G9632

Important!

1. When you receive your Acclaim shower check contents for any freight damage or defect.
2. If this is a Custom Order the size will be in the outside of the box. Check this is correct.
3. Advise Newline on 0508 639 5463 if any damage has occurred or questions on the size within 8 hours of receiving the goods so this is can be rectified.
4. Do not proceed with installation until resolved as there cannot be a valid claim later.

DOOR SET / IMPORTANT INFORMATION

WARRANTY

- Faulty goods are covered under warranty for 5 years. Visit www.newline.co.nz for warranty information.
- Breakages incurred during construction are not covered under warranty.
- Installations must conform to the instructions to be covered by the warranty.

HEALTH AND SAFETY

Toughened Glass:

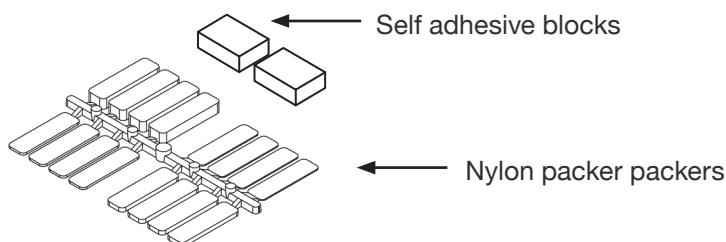
- Do not rework precut glass panels. Cutting or altering a glass panel will cause it to explode without warning.
- Unpack all glass assemblies. Stand glass on soft packaging on the floor and against a wall. Care must be taken not to strike any edge or corner against a hard surface as this will chip and destroy the glass panel.

Installation:

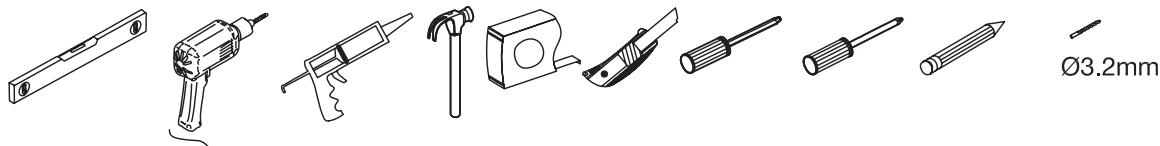
- Glass panels and assemblies are heavy. Two man lifting is recommended for handling and installation.
- Determine positioning of wiring and piping within wall cavities before shower installation. Mark their positions to ensure electrical and piping areas are avoided.
- Wear appropriate protective clothing and eye protection during installation.

MATERIALS SUPPLIED

- 1x Silicone Bostik V60
- 1x Self-Adhesive Acrylic Packers
- 2x Nylon Packers



TOOLS REQUIRED



AFTERCARE

The shower must be squeegeed down after each shower. Thoroughly clean weekly with a microfiber cloth, mild detergent and water. Rinse with clean water and squeegee and wiped dry.

NEWLINE RECOMMENDS A SKILLED TRADESMAN ANTIQUATED WITH SHOWER INSTALLATIONS IS USED TO ENSURE THE VERY BEST OUTCOME.

PREPARATION CHECKLIST

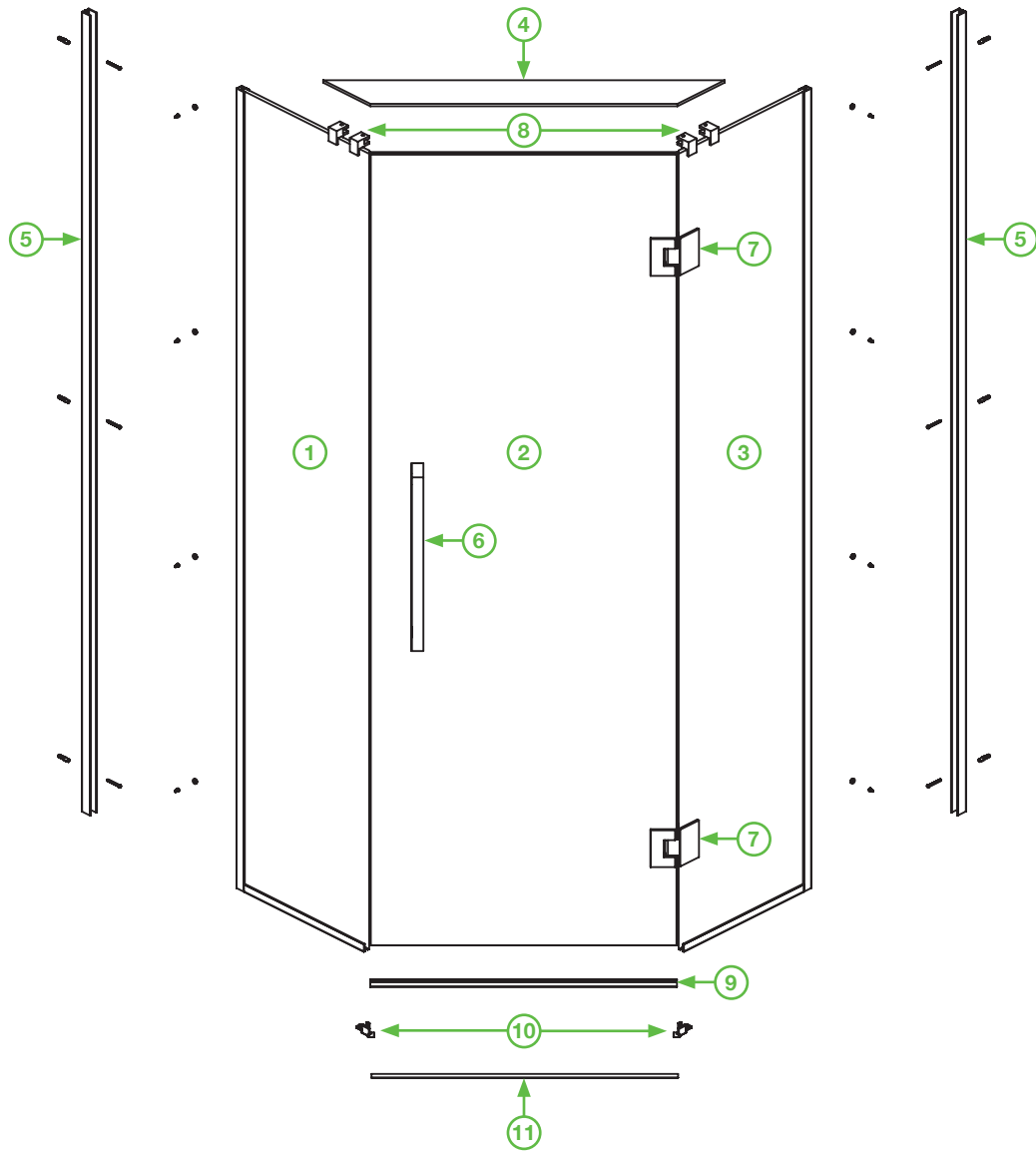
ENSURE YOU TICK THE SPECIFIC BOXES THAT APPLY AS YOU PROGRESS

- Floor & Walls:** Floor must level with no deflection and walls plumb and flat. This is of all importance for a successful installation.
- Tray:** Installation for Tile trays supplied with the specific Tray ordered
- Frame:**
 1. **Wall Profile options**
 - Hob Tile Tray:** Centred 45mm off finished tile edge. (This will allow 32mm off tray before tiling)
 - Level Entry:** Centred at the transition line (where slope begins)
 2. **Solid fixings for wall mounted plumbing fittings**
 - Consult with the plumber.
- Wet Grade Lining:** The frame must be lined with a Wet Grade lining that meets the NZ building Code Clause E3. Installation must be fastened to manufactures specifications for Tile loadings.
- Plumbing:** Use a registered plumber for installation all supply and waste items prior to Tray and Wall linings
- Waterproofing “Profinish Tile Trays”:** This must comply with AS/NZS 4858:2004 and be undertaken by certified applicator and a Producer Statement provided. There is a list of proven systems on our website www.newline.co.nz
- Tiling:**
 1. Newline requires the use of complete systems by licenced/trained applicators. Waterproofing, Tile Adhesive, Grouting and Silicone detailing for full accountability and performance requirements.
 2. The tiles must conform to gradients provide with the “ProFinish Tile Tray” to comply to NZ Building Code.
 3. The line where shower frame sits must be level for an acceptable install of the shower.

INDEX

- **Exploded View Diagram & Component list** **Page 4**
- **Lay-out Page & Dimension Table A** **Page 5**
- **Installation Steps Page** **Page 6**

EXPLODED VIEW 2 SIDED - CHROME



ACCLAIM SHOWER 2 SIDED COMPONENT LIST - CHROME

Part Number	QTY	Part Number	QTY	
1 10mm Fixed Glass Panel	1	10 Waterbar Clips LH & RH H6355	2	
2 10mm Door Glass B2343	1	11 Threshold Waterbar A9076	1	
3 10mm Glass Hinge Panel	1	12 Fastening Screw Pack H1665	1	
4 Glass Lintel C2879	1	Fastening Screw Pack	H1665	
5 Wall Profiles A1887	2			6 x 40 Pan square screws x 9
6 1 x Curved Handle H5498	1			4 x CSK Machine Screws
7 1 x Set 135 Degree Hinges H5535	2			6gauge x 12mm Pan square screws x 5
8 Glass Lintel Clips H5412	4			Screw cap covers x 5
9 Bottom Door Seal I5979	1	Wall plugs x 9		

INSTALLATION LAYOUT

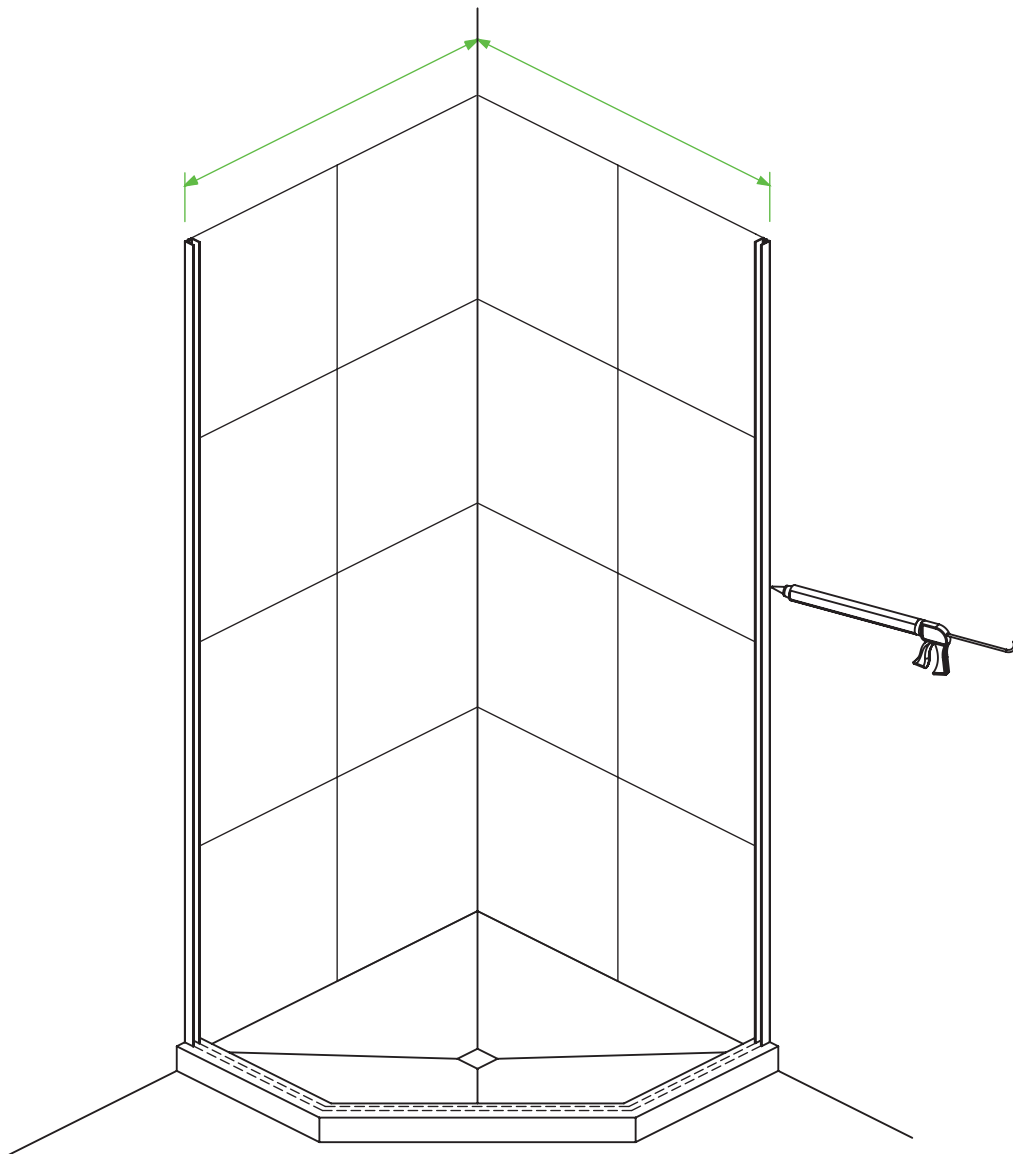
STEP 1

- Identify your installation measurement from the Frame Dimensions Table "A". Mark the position of the outside of the Wall Profiles on the sill
- If this is a custom order the size will be printed on the outside of the packaging
- Bond the Wall Profiles to the Tiled Wall. (Note Below)
- Mark the Floor Channels. (dotted line) 2mm inside Wall Profile

PLEASE NOTE:

Waterproofing warranties will potentially be void if there are penetrations through the membrane. Use Bostik V60 to bond wall channels to the tiles. Allow to cure as cartridge information.

If penetrations' through the waterproofing are undertaken you must ensure you have an acceptable solution and if using anchors' these must be below the wall cladding surface. Record the details as the installer is wholly responsible for failures.



Dimension Table "A"

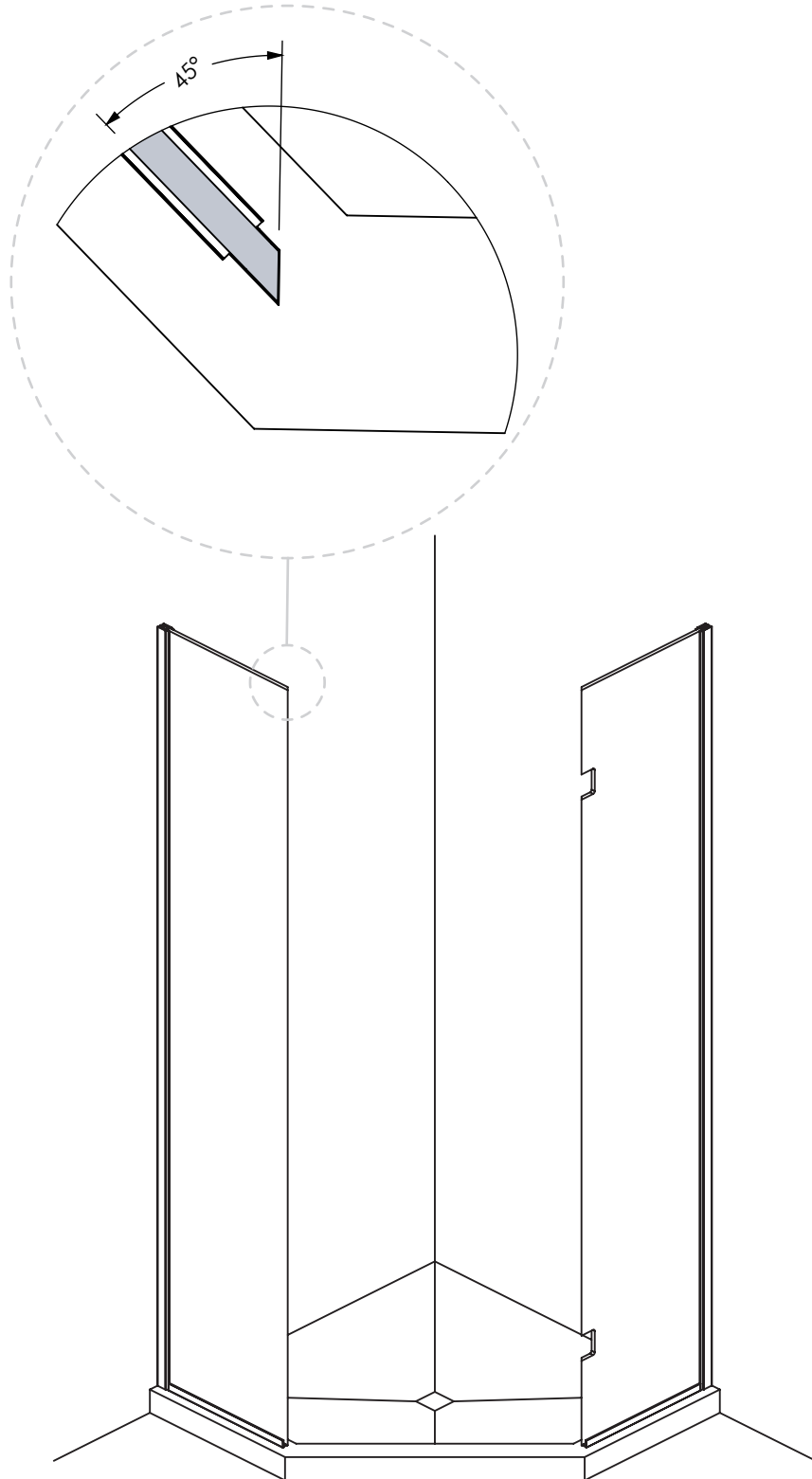
Profinish Tray Size	Minimum to Maximum
900 x 900	864 to 876mm
1000 x 1000	964 to 976mm
1100 x 1100	1064 to 1076mm

INSTALLATION

STEP 2

Fit Fixed Glass Panels

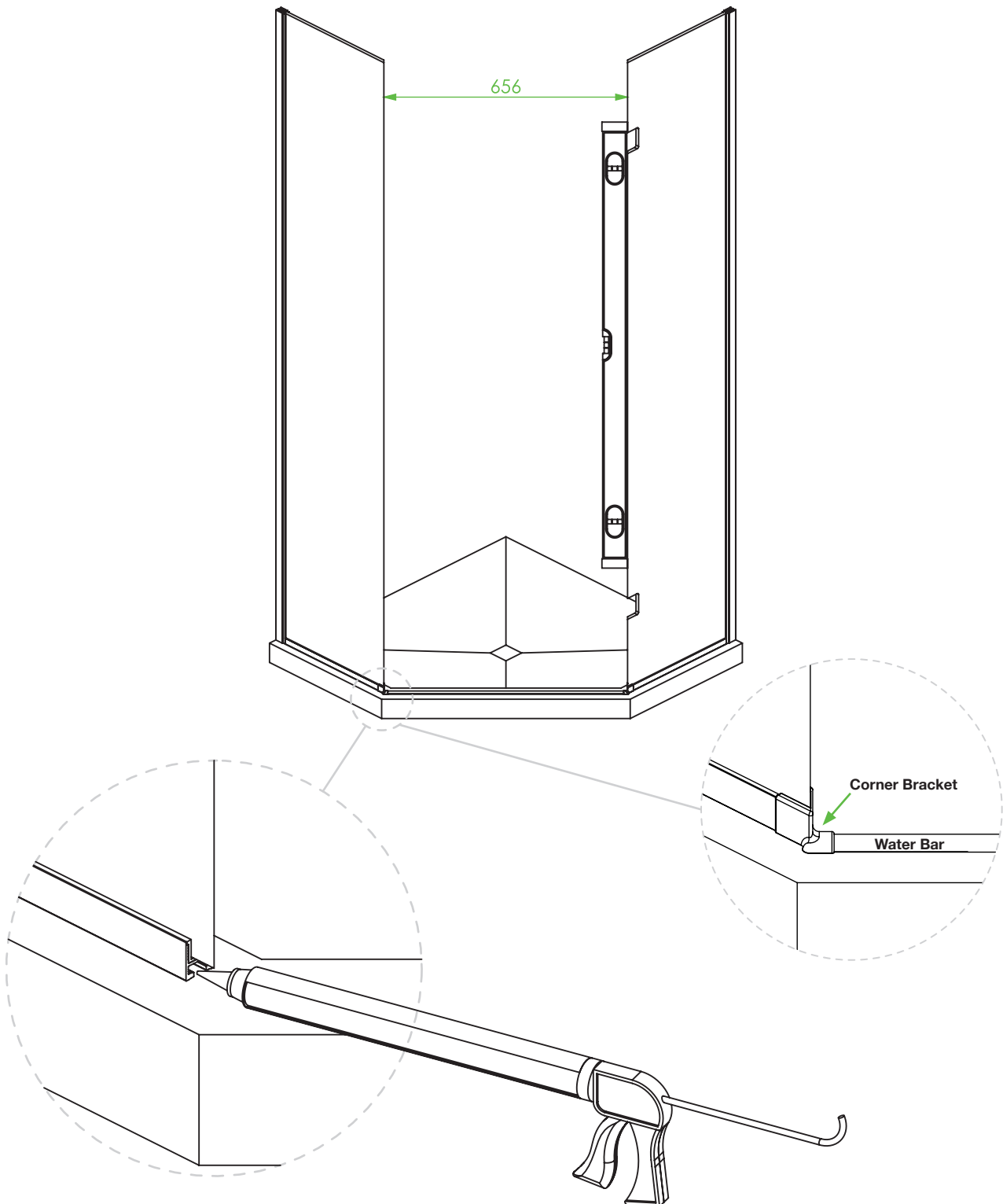
1. Ensure the fixed panel with the cut outs is placed on the side as ordered.
2. Fit the Glass Panels progressively into the Wall Profiles until outer glass edge is at Door line.
(Prevents horizontal scratching of inner profiles).



INSTALLATION

STEP 3

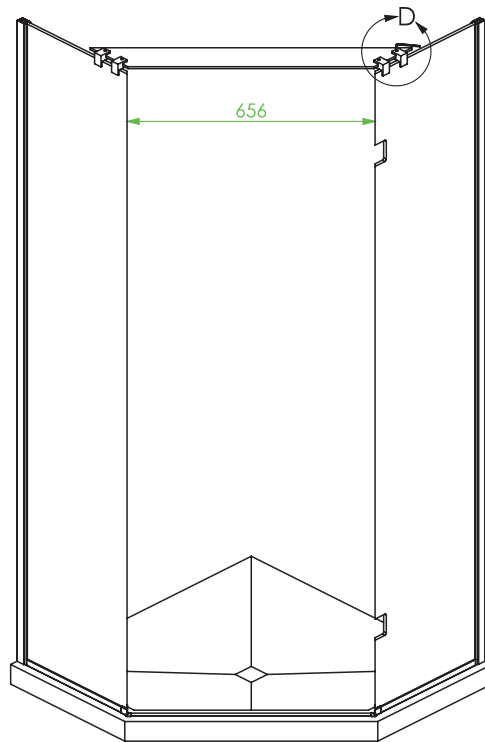
- Apply silicone into end of Side panel floor profiles to hold base at this point when cured.
- Take the Waterbar, LH & RH brackets and fit assembly in place. Note: the Waterbar requires a bead of silicone underneath and the brackets sealed to the lower profiles both sides and floor
- Equalise the glass panels to boundary line and make sure the Door Gap remains at 656mm top and bottom.
- Use the self-adhesive packers to hold fixed glass in place and tape the Waterbar to the tray.



INSTALLATION

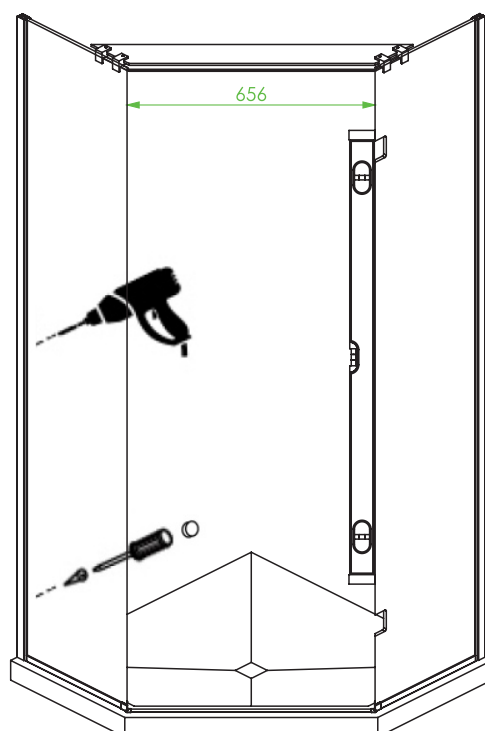
STEP 4

- Install the glass lintel to the top edge of the glass panels, using four clamps along the top edge of the panels.
- Ensure the Door gap remains at 656mm top and bottom.



STEP 5

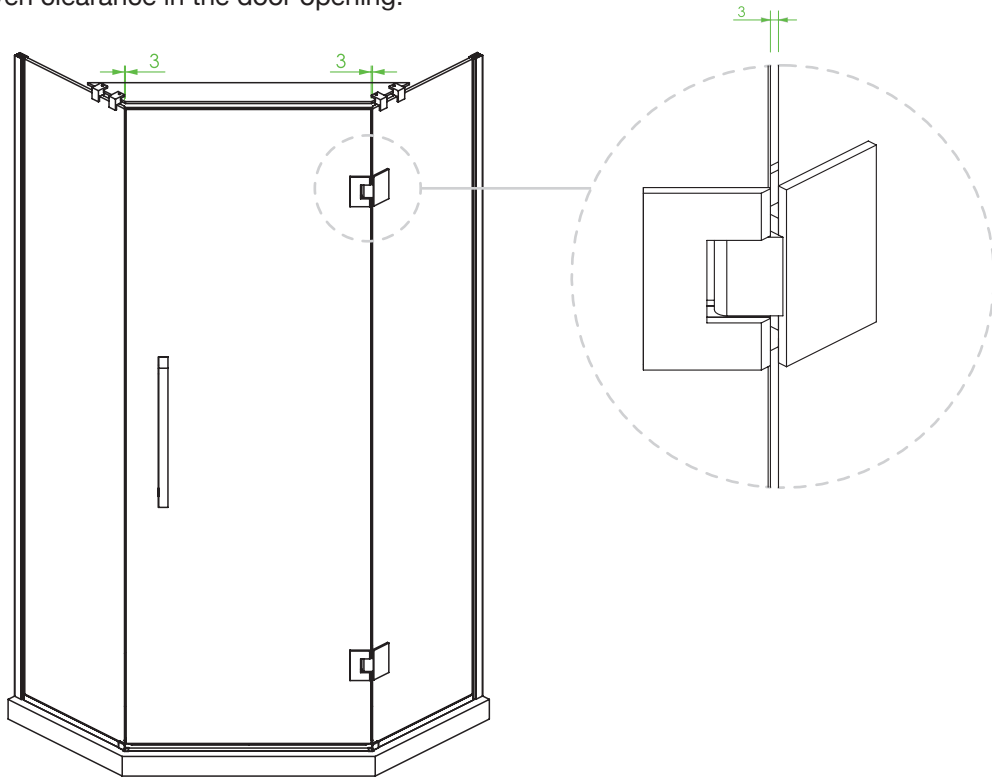
- Re check the glass is still aligned correctly to the Tile Tray.
- Screw with 12 gauge pan head screws and add cover caps.



INSTALLATION

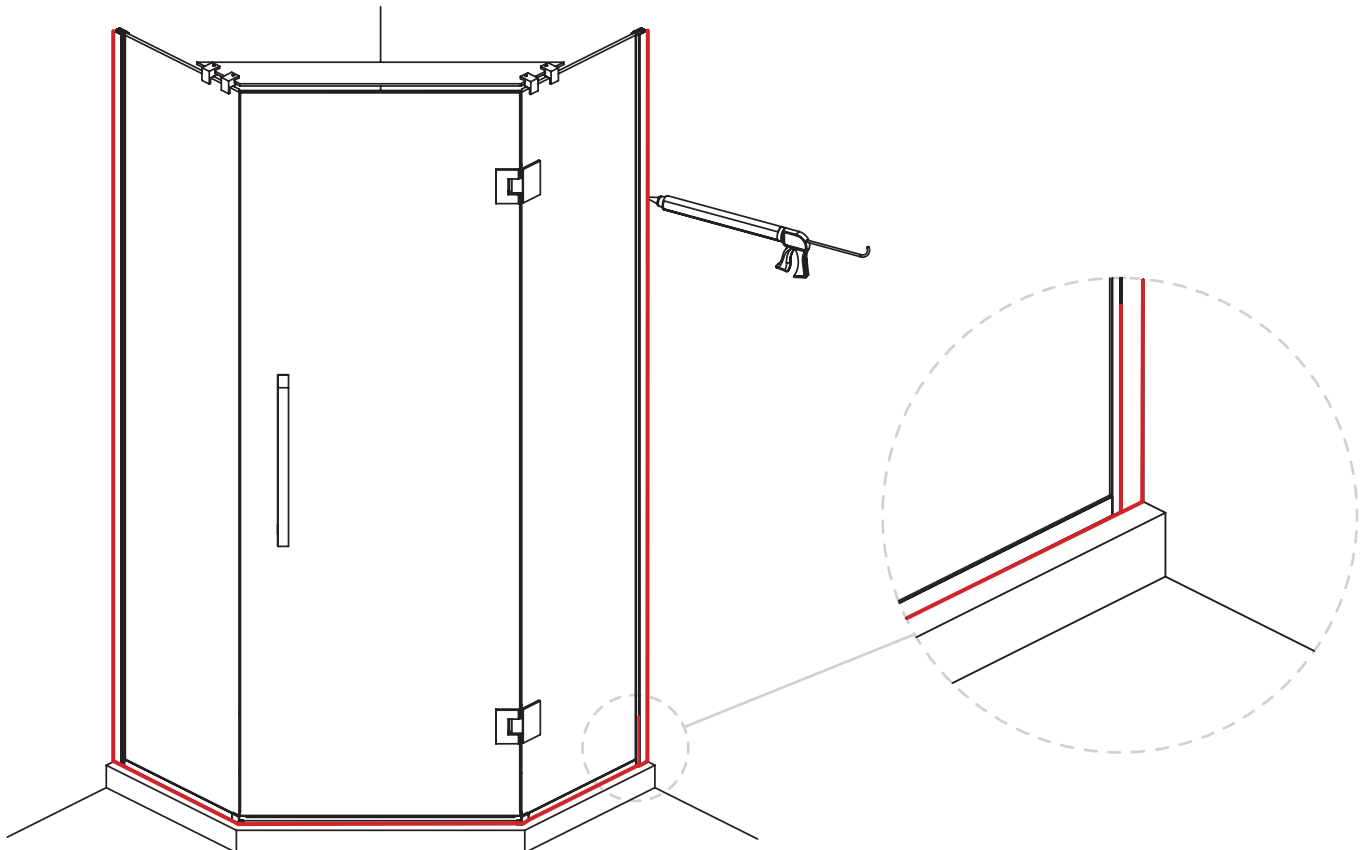
STEP 6

- Attach the hinges to hinged panel and fix the handle, and then install the door glass. Close the door carefully and adjust for even clearance in the door opening.



STEP 7

- Silicone seal the outside boundary as indicated lines.
- Tape the Door closed with packers installed to stop the door sagging.
- Leave for 24 hours until silicone has cured.



ProFinish™ Tile Tray Waterproofing

WATERPROOFING

- The Independent Waterproofing Companies listed below have tested their systems and procedures on Newline Profinish Tile Trays. This represents years of proven track record.
- At the time of publication all Waterproofing Systems hold a BRANZ Appraisal.
- All the Waterproofing Systems listed have an aligned Tiling Systems. You must use the associated Waterproofing & Tiling system for compatibility, performance and accountability.
- A Producer Statement must be provided to the Council Authority and Owner detailing the Waterproofing applicator ID or Code. As an appendage also include the tiling system utilised.
- Applicators must be trained and hold current Accreditation with the respective system being utilised for the Warranty to be valid. We advise you to ask for these credentials.

COMPANY	PRIMER	PRODUCTS	CONTACT	WARRANTY
ARDEX	Prep: Wipe down with damp cloth - No primer	1. ARDEX WPM 155 Rapid (1 Part Poly- Acrylic) 2. Ardex Superflex WPM 002 (2Part) 3. ARDEX WPM 750 WeldTec Undertile Sheet Membrane*	Ronald Rose 027 838 5691 ronald.rose@ardexnz.com	15years *20years
DAVCO Tilemax Ltd	Davco Primex	1. Davco K10 Plus - Polyurathane (Coat Primex within 24 hrs) 2. Davco K10 Rapid	Isaac Gordan 022 127 7694 isaac@tilemax.co.nz	15 years
DRIBOND CONSTRUCTION CHEMICALS	Primax Bonding slurry - Kemcrete mixed 50/50 with cement or Gripflex	1. Hydrathane 2. Liquid Flash 2- Pack 3. Reomat b/breaking Tapes	Steve Plester 022 1205416 sp.conchem@xtra.co.nz	15years
LADICRETE GLOBAL TILE	Prep: as instructions No Primer	Hydro Ban SBR	Chris Anderson 021 784 162 Chris@globaltile.co.nz	15years
MAPEI	Ecoprim Grip (1part) Magelastic SP (2 part)	1. Mapelastic AquaDefence 2. Mapegum WPS 3. Mapelastic Smart (2part)	Heidi Clark 027 6455 122 heidi.clark@mapei.co.nz	15 years
SIKA (NZ)	Per Instructions	Sikalastic-152	Andy Williams 09 820 2900 021 421 084 williams.andy@nz.sika.com	15 years
Tiling Trade Supplies T/A Technokolla NZ	Prep: Clean and Vac surface. Technokolla 101	1. Technokolla RL80 SeamTape joins Rasolastic Advance. Two Part 2. Strataflex & Rasogum over laps	Dave Boyes 0275 635 891 dave@technolla.co.nz	15 years

- Newline warrants the performance and integrity of the Profinish Tile Shower Base for 20 years. Non-conformity to installation instructions has the risk of failure.
- All Waterproofing and Tile Installation must be installed as per manufactures Specifications as any deviation from the instructions may result in a performance failure.
- All Tiling must follow BRANZ Good Tiling Practice.

* This document is current as of 9 May 2018.