

CODE: G9632

Important!

1. When you receive your Acclaim shower check contents for any freight damage or defect.
2. If this is a Custom Order the size will be in the outside of the box. Check this is correct.
3. Advise Newline on 0508 639 5463 if any damage has occurred or questions on the size within 8 hours of receiving the goods so this can be rectified.
4. Do not proceed with installation until resolved as there cannot be a valid claim later.

DOOR SET / IMPORTANT INFORMATION

WARRANTY

- Faulty goods are covered under warranty for 5 years. Visit www.newline.co.nz for warranty information.
- Breakages incurred during construction are not covered under warranty.
- Installations must conform to the instructions to be covered by the warranty.

HEALTH AND SAFETY

Toughened Glass:

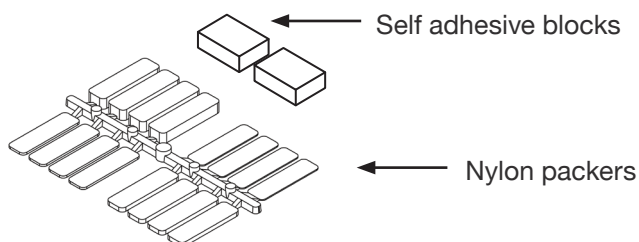
- Do not rework precut glass panels. Cutting or altering a glass panel will cause it to explode without warning.
- Unpack all glass assemblies. Stand glass on soft packaging on the floor and against a wall. Care must be taken not to strike any edge or corner against a hard surface as this will chip and destroy the glass panel.

Installation:

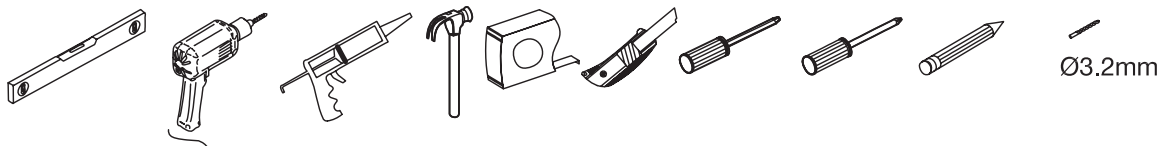
- Glass panels and assemblies are heavy. Two man lifting is recommended for handling and installation.
- Determine positioning of wiring and piping within wall cavities before shower installation. Mark their positions to ensure electrical and piping areas are avoided.
- Wear appropriate protective clothing and eye protection during installation.
- The instructions focus on a safe functioning shower. Ensure you follow the steps provided.

MATERIALS SUPPLIED

- 1x Silicone Bostik V60
- 1x Self-Adhesive Acrylic Packers
- 2x Nylon Packers



TOOLS REQUIRED



AFTERCARE

The shower must be squeegeed down after each shower. Thoroughly clean weekly with a microfiber cloth, mild detergent and water. Rinse with clean water and squeegee and wiped dry.

NEWLINE RECOMMENDS A SKILLED TRADESMAN ACQUAINTED WITH SHOWER INSTALLATIONS TO ENSURE THE VERY BEST OUTCOME.

PREPARATION CHECKLIST

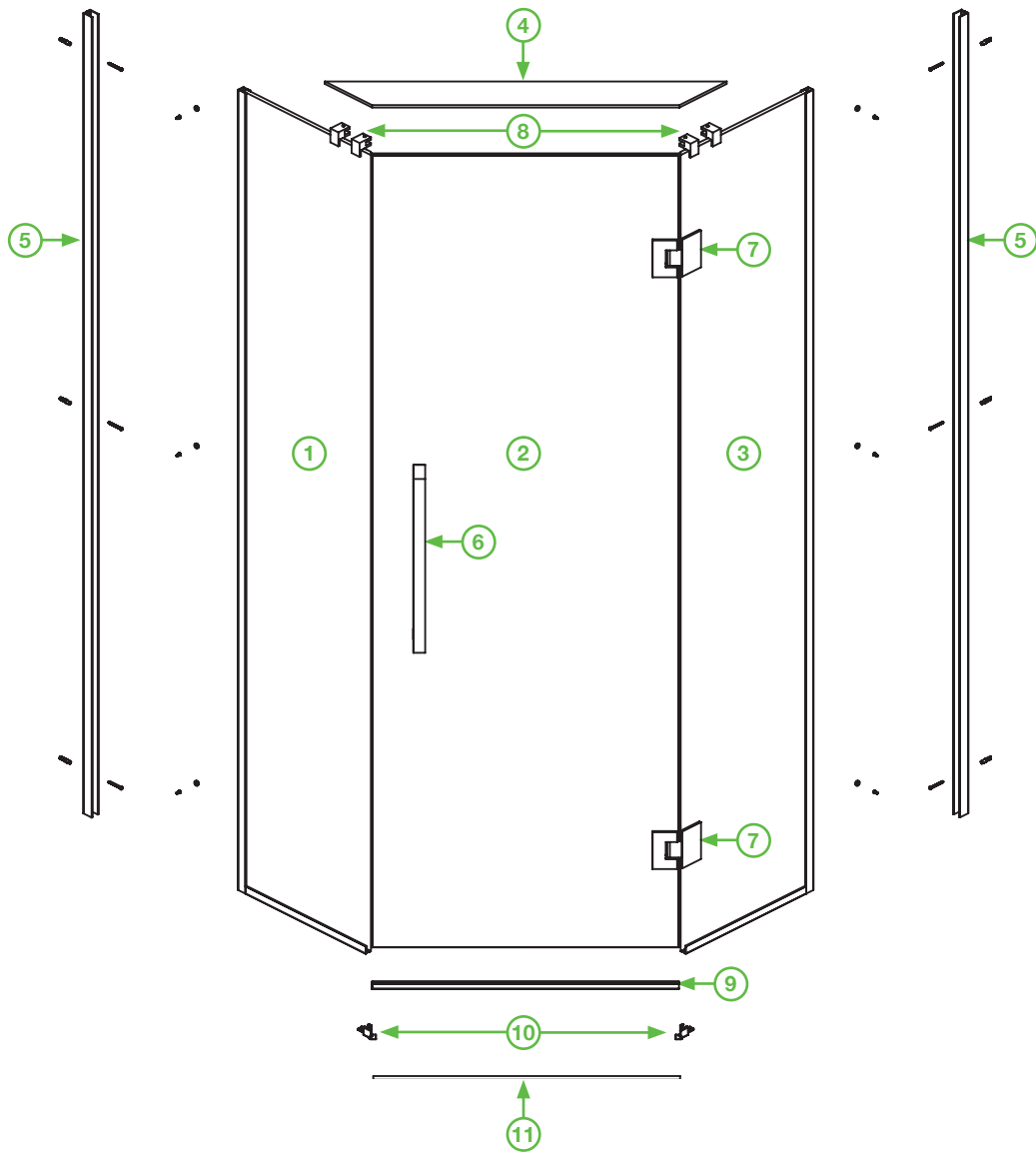
ENSURE YOU TICK THE SPECIFIC BOXES THAT APPLY AS YOU PROGRESS

- Floor & Walls:** Floor must level with no deflection and walls plumb and flat. This is of all importance for a successful installation.
- Tray:** Installation for tile trays supplied with the specific tray ordered.
- Frame:**
 1. **Wall Profile Options**
 - Hob Tile Tray:** Centred 45mm off finished tile edge (This will allow 32mm off tray before tiling).
 - Level Entry:** Centred at the transition line (where slope begins).
 2. **Solid fixings for wall mounted plumbing fittings**
 - Consult with the plumber.
- Wet Grade Lining:** The frame must be lined with a Wet Grade lining that meets the NZ building Code Clause E3. Installation must be fastened to manufacturer's specifications for tile loadings.
- Plumbing:** Use a registered plumber for installation all supply and waste items prior to Tray and Wall linings.
- Waterproofing "ProFinish Tile Trays":** This must comply with AS/NZS 4858:2004 and be undertaken by certified applicator and a Producer Statement provided. There is a list of proven systems on our website www.newline.co.nz
- Tiling:**
 1. Newline requires the use of complete systems by licenced/trained applicators. Waterproofing, Tile Adhesive, Grouting and Silicone detailing for full accountability and performance requirements.
 2. The tiles must conform to gradients provide with the "ProFinish Tile Tray" to comply to NZ Building Code.
 3. The line where shower frame sits must be level for an acceptable install of the shower.

INDEX

- **Exploded View Diagram & Component List** **Page 4**
- **Layout Page & Dimension Table A** **Page 5**
- **Installation Steps Page** **Page 6**

EXPLODED VIEW 2 SIDED - CHROME



ACCLAIM SHOWER 2 SIDED COMPONENT LIST - CHROME

Part Number	QTY	Part Number	QTY	
1 10mm Fixed Glass Panel	1	10 Waterbar Clips LH & RH H6355	2	
2 10mm Door Glass B2343	1	11 Threshold Waterbar A9076	1	
3 10mm Glass Hinge Panel	1	12 Fastening Screw Pack H1665	1	
4 Glass Lintel C2879	1	Fastening Screw Pack	H1665	
5 Wall Profiles A1887	2			6 x 40 Pan square screws x 9
6 1 x Curved Handle H5498	1			4 x CSK Machine Screws
7 1 x Set 135 Degree Hinges H5535	2			6gauge x 12mm Pan square screws x 5
8 Glass Lintel Clips H5412	4			Screw cap covers x 5
9 Bottom Door Seal I5979	1	Wall plugs x 9		

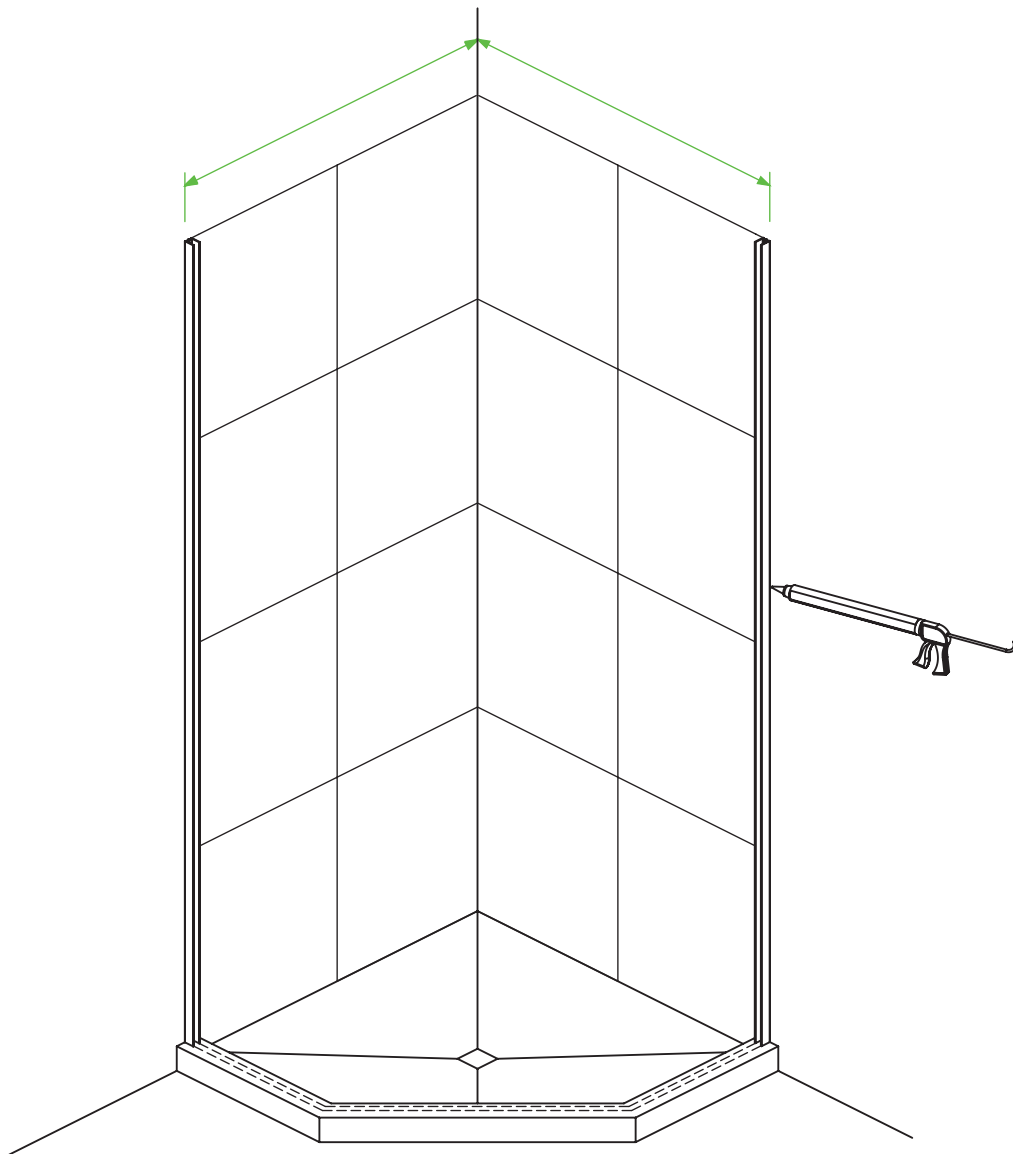
INSTALLATION LAYOUT

STEP 1

- Identify your installation measurement from the Frame Dimensions Table "A". Mark the position of the outside of the wall profiles on the sill.
- If this is a custom order the size will be printed on the outside of the packaging.
- Bond the wall profiles to the tiled wall (note below).
- Mark the floor channels (dotted line) 2mm inside wall profile.

PENETRATION OF WATERPROOFING UNDER TILES

Waterproofing warranties are potentially void with penetrations of membrane. Bond wall profiles with Bostik V60. Minimum curing 24 hours (2mm to 3mm). Curing is by atmospheric moisture absorption (approx. 7mm in 7 days).



Dimension Table "A"

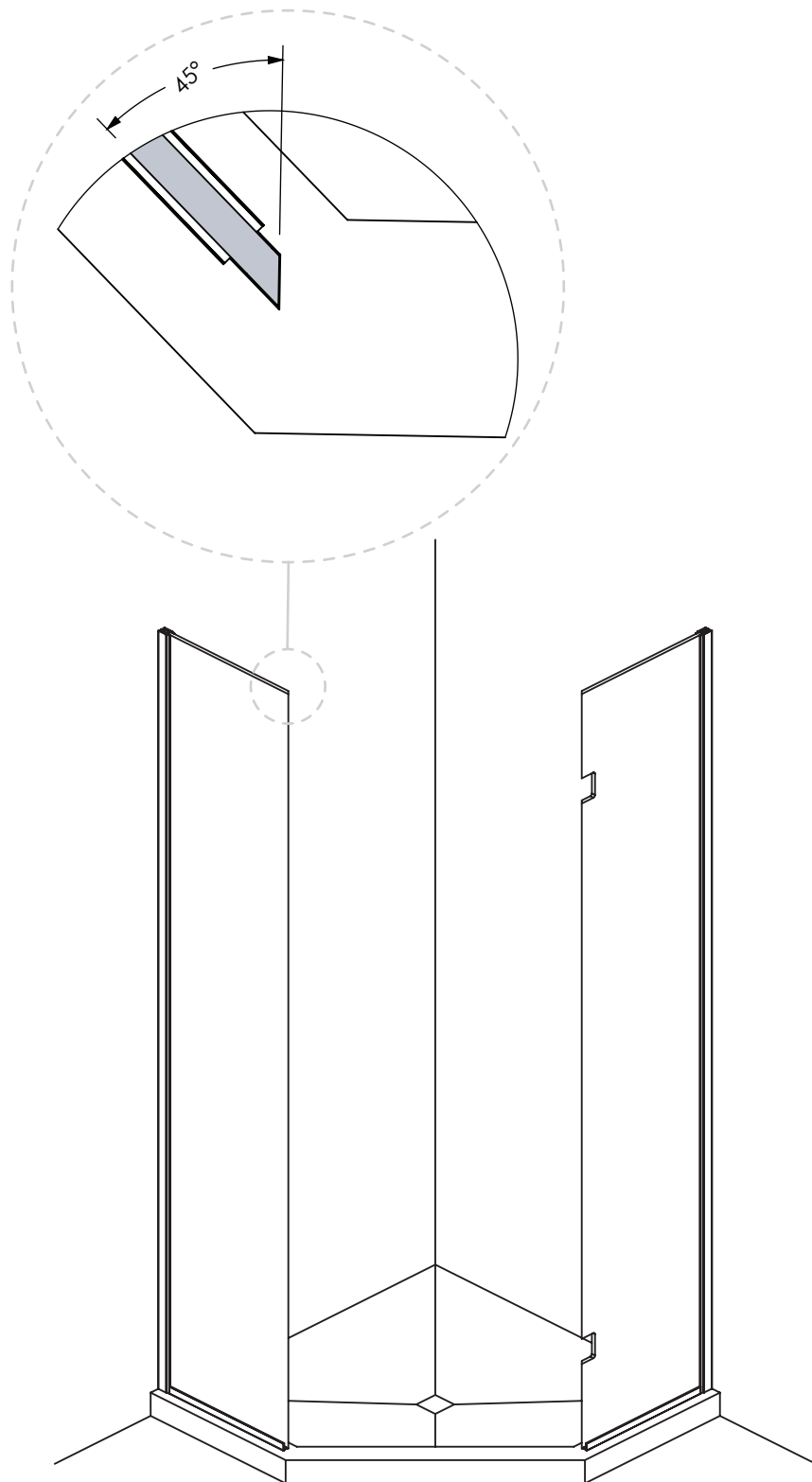
Profinish Tray Size	Minimum to Maximum
900 x 900	864 to 876mm
1000 x 1000	964 to 976mm
1100 x 1100	1064 to 1076mm

INSTALLATION

STEP 2

Fit Fixed Glass Panels

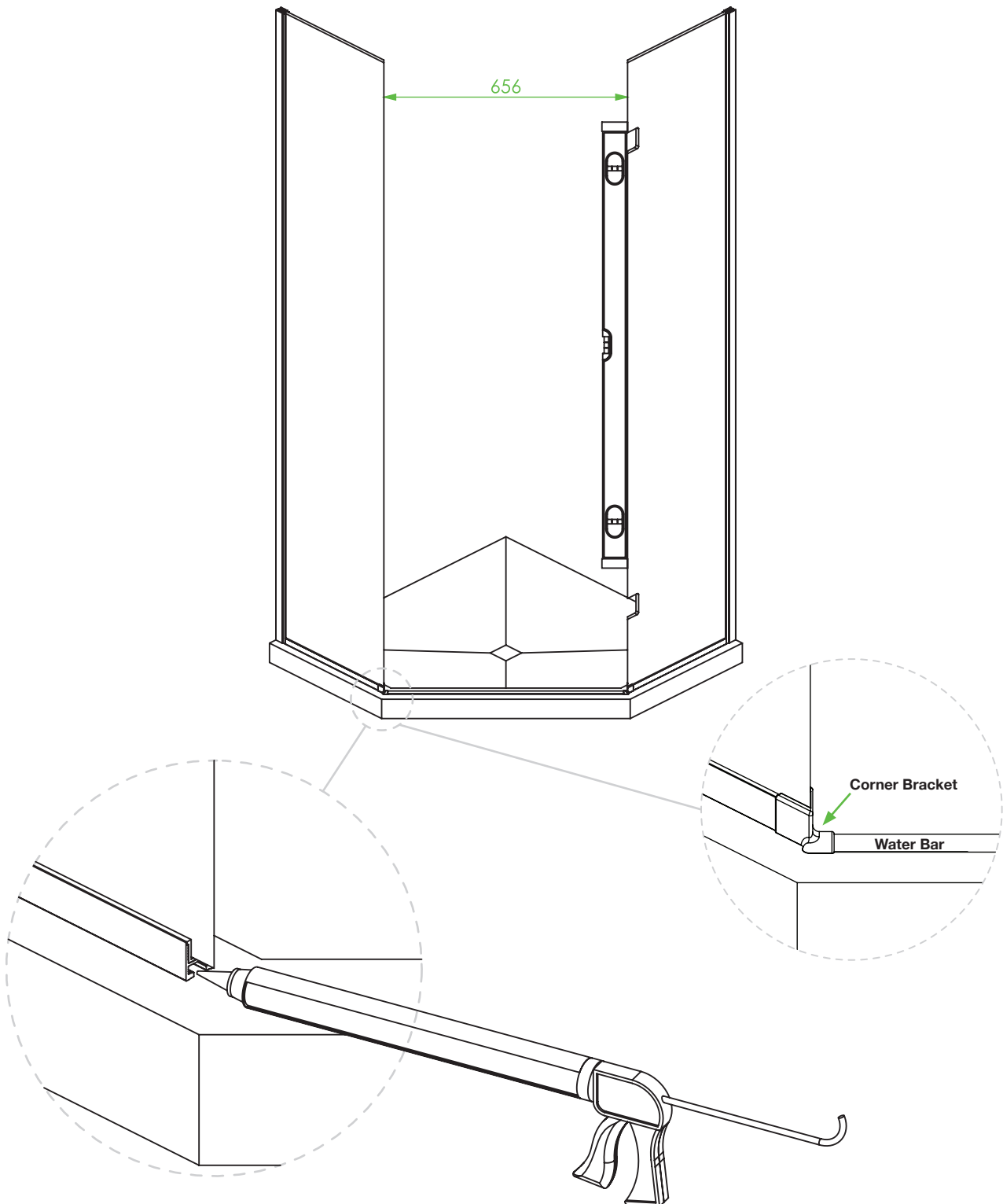
1. Ensure the fixed panel with the cut outs is placed on the side as ordered.
2. Fit the glass panels progressively into the wall profiles until outer glass edge is at door line.
(Prevents horizontal scratching of inner profiles).



INSTALLATION

STEP 3

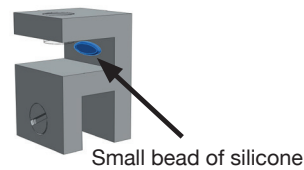
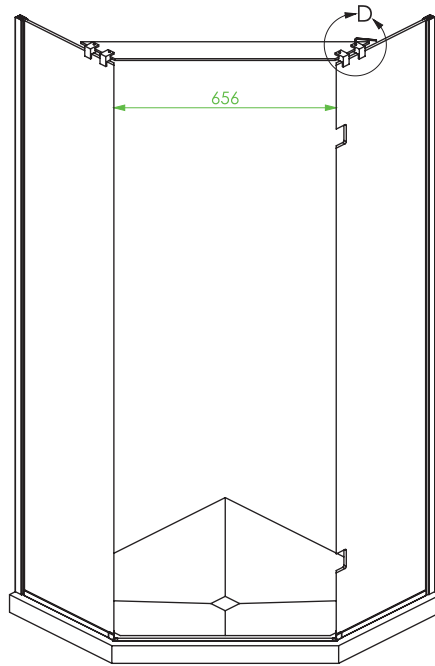
- Apply silicone into end of side panel floor profiles to hold base at this point when cured.
- Take the Waterbar, LH & RH brackets and fit assembly in place. Note: the Waterbar requires a bead of silicone underneath and the brackets sealed to the lower profiles both sides and floor.
- Equalise the glass panels to boundary line and make sure the door gap remains at 656mm top and bottom.
- Use the self-adhesive packers to hold fixed glass in place and tape the waterbar to the tray.



INSTALLATION

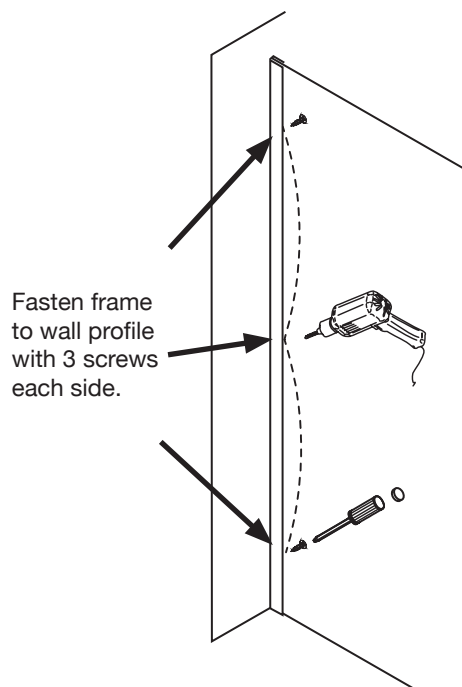
STEP 4

- Fitting of Glass Lintel: **IMPORTANT!** Clips must be held tight to glass prior to fastening.
 1. Fit lintel clips first to vertical glass panels.
 2. Apply a small bead of V60 Silicone as drawing (This is a secondary safety measure to hold the lintel glass).
 3. Fasten the lintel glass ensuring door gap is plumb.
 4. Equalise the glass panels to tile tray.
 5. Align door gap to 656mm for 3mm door clearance. If using 2.5mm clearance reduce 656mm accordingly.



STEP 5

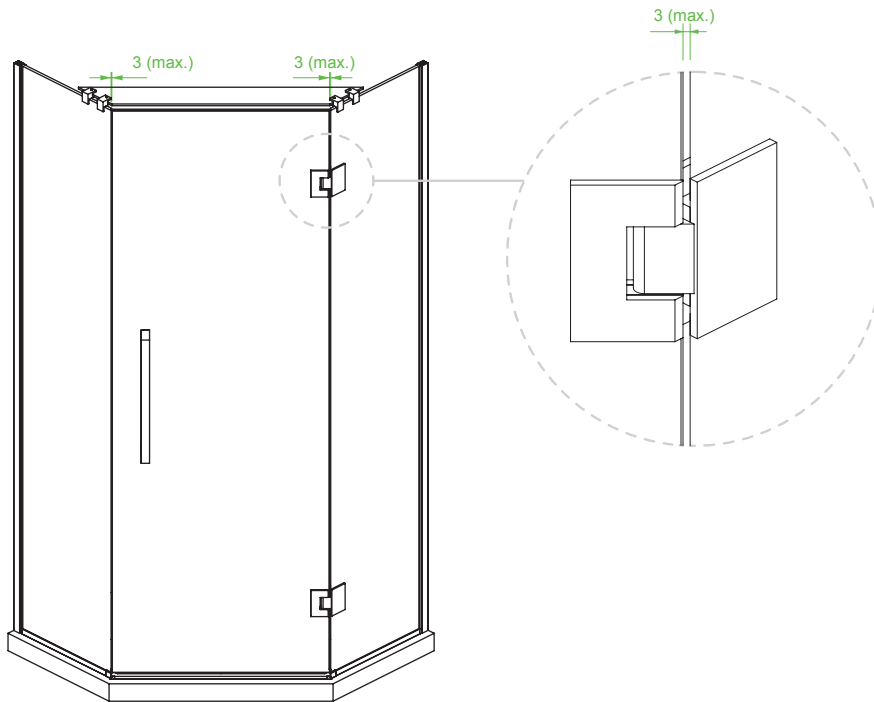
- Recheck the glass is still aligned correctly to the tile tray.
- Fasten with 12mm screws and cover caps as supplied.



INSTALLATION

STEP 6

- Attach the hinges to hinged panel and fix the handle, and then install the door glass. Close the door carefully and adjust for even clearance in the door opening.



STEP 7

- Silicone seal the outside boundary as indicated lines.
- Tape the door closed with packers installed to stop the door sagging.
- Leave for 24 hours until silicone has cured.

