

Important!

When you receive your Walk-In shower check the following:

1. Custom orders have size on the box. Check and contact us immediately if not sure.
2. Advise Newline on 0508 639 5463 if any freight damage has occurred within 8 hours.
3. Do not install if items 1 and 2 are not right as a later claim will not be valid.

DOOR SET / IMPORTANT INFORMATION

WARRANTY

- Faulty goods are covered under warranty for 5 years. Visit www.newline.co.nz for warranty information.
- Breakages incurred during construction are not covered under warranty.
- Installations must conform to the instructions to be covered by the warranty.

HEALTH AND SAFETY

Toughened Glass:

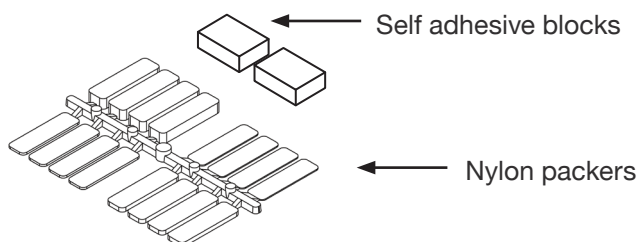
- Do not rework precut glass panels. Cutting or altering a glass panel will cause it to explode without warning.
- Unpack all glass assemblies. Stand glass on soft packaging on the floor and against a wall. Care must be taken not to strike any edge or corner against a hard surface as this will chip and destroy the glass panel.

Installation:

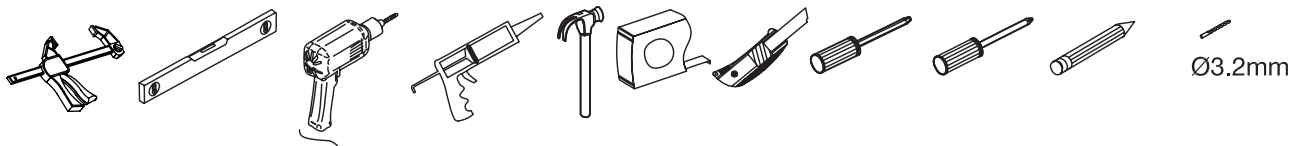
- Glass panels and assemblies are heavy. Two man lifting is recommended for handling and installation.
- Determine positioning of wiring and piping within wall cavities before shower installation. Mark their positions to ensure electrical and piping areas are avoided.
- Wear appropriate protective clothing and eye protection during installation.

MATERIALS SUPPLIED

- 1x Silicone Bostik V60
- 1x Self-Adhesive Acrylic Packers
- 2x Nylon Packers



TOOLS REQUIRED



AFTERCARE

The shower must be squeegeed down after each shower. Thoroughly clean weekly with a microfiber cloth, mild detergent and water. Rinse with clean water and squeegee and wiped dry.

NEWLINE RECOMMENDS TO USE A SKILLED TRADESMAN ACQUAINTED WITH SHOWER INSTALLATIONS TO ENSURE THE VERY BEST OUTCOME.

PREPARATION CHECKLIST

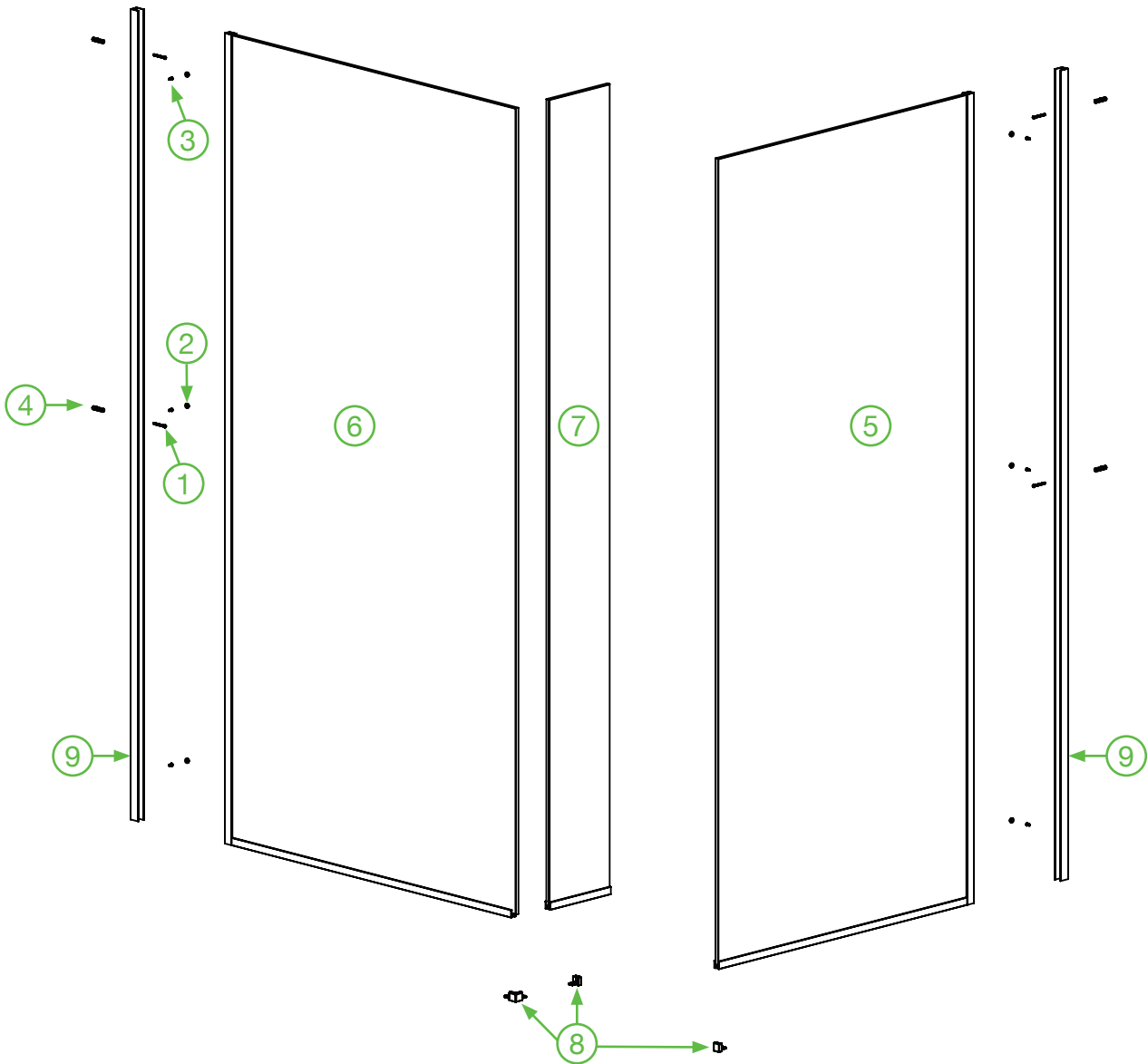
ENSURE YOU TICK THE SPECIFIC BOXES THAT APPLY AS YOU PROGRESS

- Floor & Walls:** Floor must level with no deflection and walls plumb and flat. This is of all importance for a successful installation.
- Tray:** Installation for ProFinish Tile trays are supplied with the specific Tray ordered
- Frame:**
 1. **Wall Profile options**
 - Hob Tile Tray:** Centred 45mm off finished tile edge. (This will allow 32mm off tray before tiling)
 - Level Entry:** Centred at the transition line (where slope begins)
 2. **Solid fixings for wall mounted plumbing fittings**
 - Consult with the plumber.
- Wet Grade lining:** Aqualine Gib. or equivalent “must be used behind all shower installations for compliance”
- Plumbing:** Use a registered plumber for installation all supply and waste items prior to Tray and Wall linings
- Waterproofing “ProFinish Tile Trays”:** This must comply with AS/NZS 4858:2004 and be undertaken by certified applicator and a Producer Statement provided. There is a list of proven systems on our website www.newline.co.nz
- Tiling:**
 1. Newline requires the use of complete systems by licenced/trained applicators. Waterproofing, Tile Adhesive, Grouting and Silicone detailing for full accountability and performance requirements.
 2. The tiles must conform to gradients provide with the “ProFinish Tile Tray” to comply to NZ Building Code.
 3. The line where shower frame sits must be level for an acceptable install of the shower.

INDEX

Exploded View Diagram & Component List	Page 4
Layout Page & Dimension Table	Page 5
Assembly Steps 1 to 5	Pages 6 to 9

EXPLODED VIEW 2 SIDED - CHROME



DEVON WALK-IN COMPONENT LIST - CHROME

Part Number		QTY
1	6 Gauge x 12 sq screws	8
2	6 Gauge x 40mm screws	6
3	Screw caps	8
4	Wall plugs	6
5	Large return glass panel	1
6	Fixed front glass panel	1
7	Small return glass panel	1
8	Clip Pack	4
9	Wall profile A1887	2

Fastening Kit

2-Sided: Includes all panels

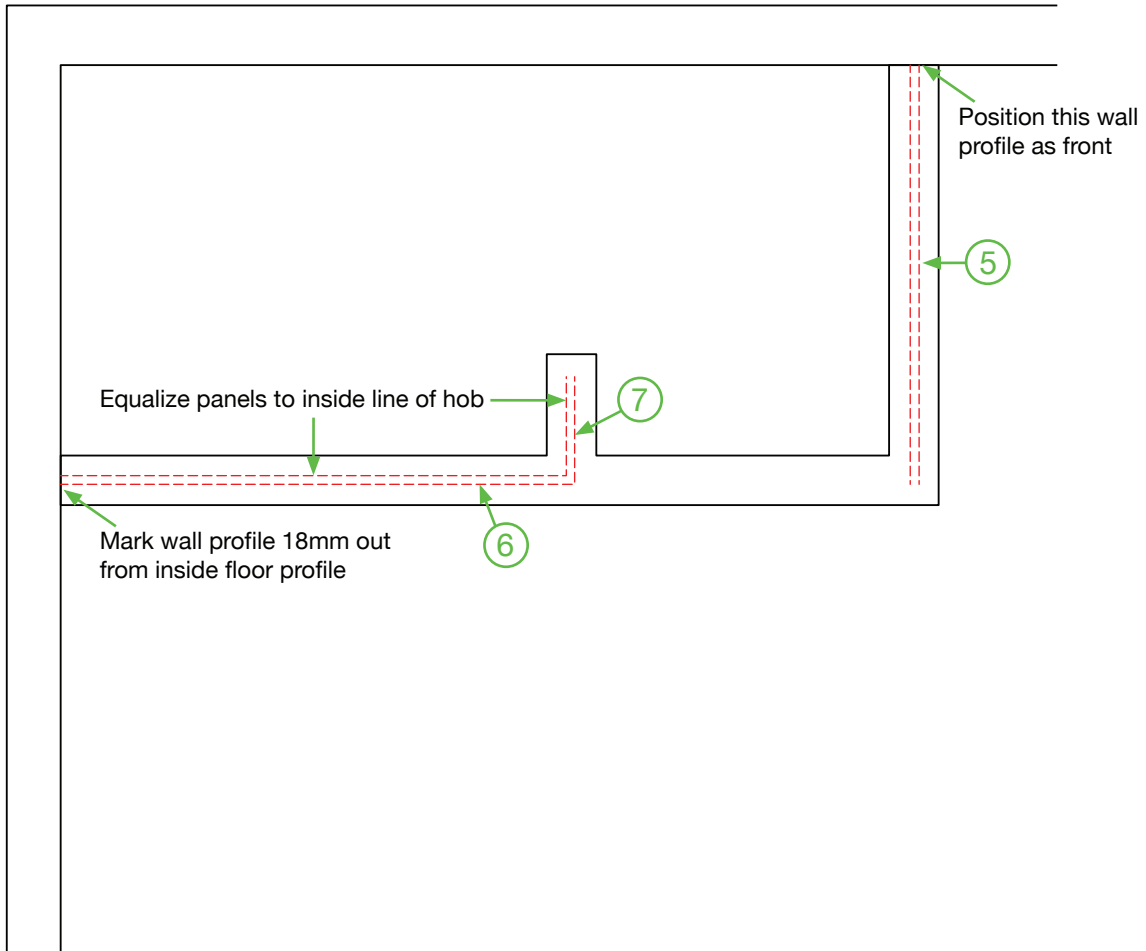
3-Sided: Excludes large return

LAYOUT PAGE: After all tiling is completed

- Use Diagram A to set out glass panels.
- Mark and plumb up the outside of wall profiles.

Refer to Minimum to Maximum Table below for standard sizes

DIAGRAM A



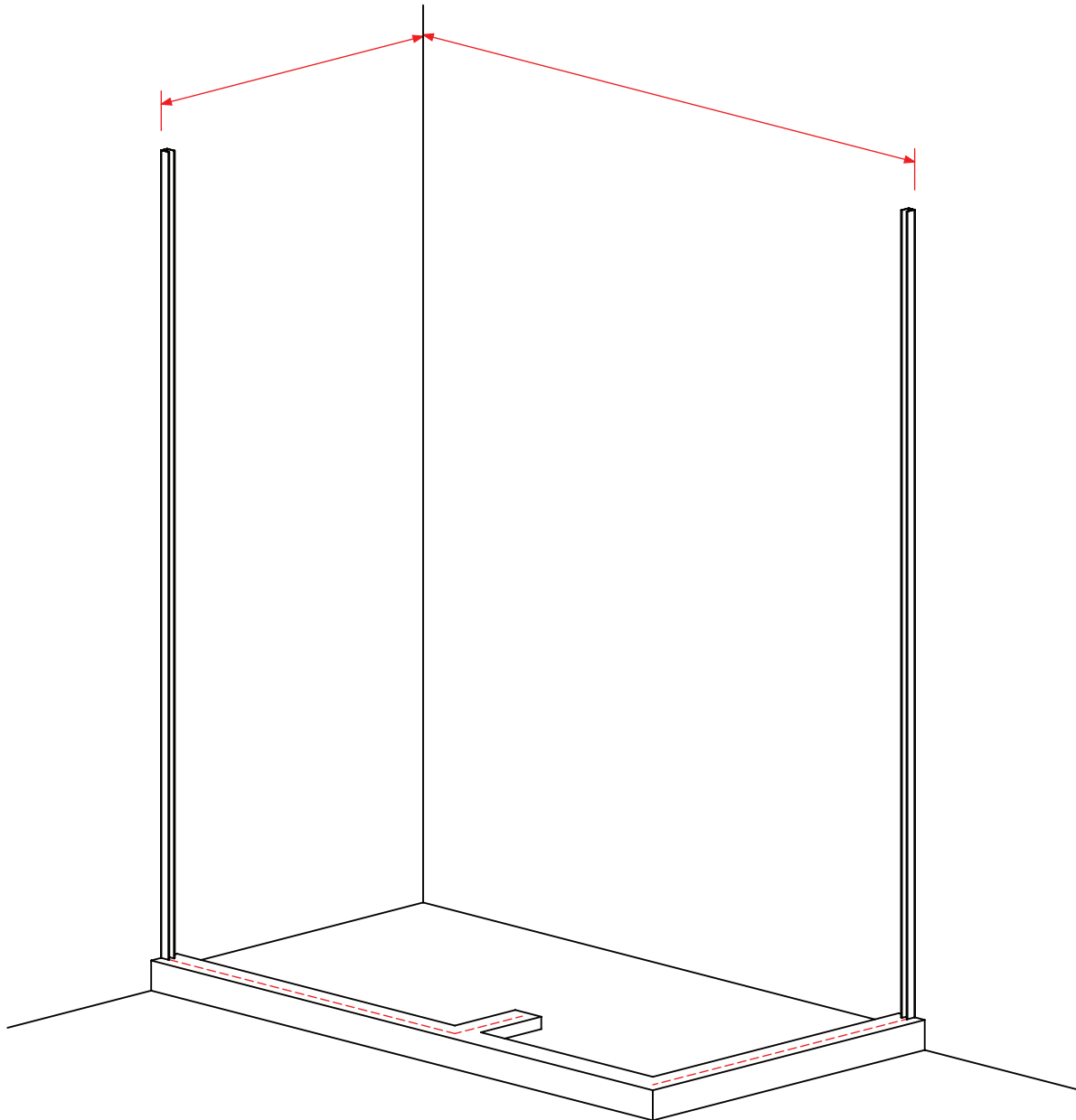
Tile Tray Size	Glass Panels Minimum to Maximum		
	Fixed Front Glass ⑥	Small Return Glass ⑦	Large Return Glass ⑤
1660x900 2Sided	964mm – 976mm	200mm	844mm – 856mm
1760x900 2 Sided	1064mm – 1076mm	200mm	844mm – 856mm
1600x900 3 Sided	964mm – 976mm	200mm	N/A
1760x900 3 Sided	1064mm - 1076	200mm	N/A

All Custom Walk-In Showers will be marked on the outside of packaging

INSTALLATION

STEP 1

- Install wall channels at marked positions with Bostik V60, apply pressure to channel, tape in place, clean off excess silicone and allow to cure (Refer to curing below).



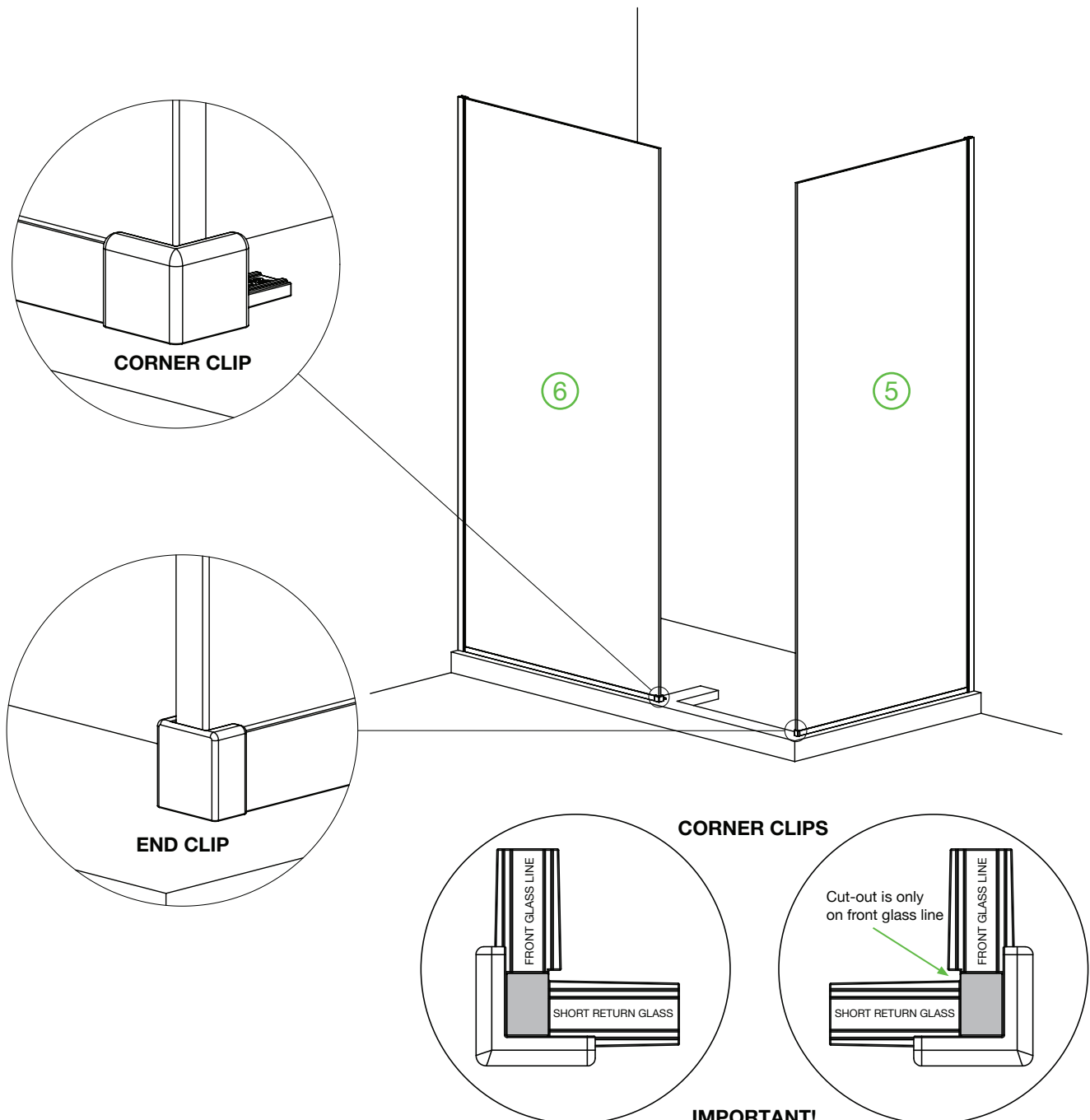
PENETRATION OF WATERPROOFING UNDER TILES

Waterproofing warranties are potentially void with penetrations of membrane. Bond wall profiles with Bostik V60. Minimum curing 24 hours (2mm to 3mm). Curing is by atmospheric moisture absorption (approx. 7mm in 7 days).

INSTALLATION

STEP 2

- Place Glass Panel (6) and Large Return Glass (5) into the wall channels.
- Line up glass to position and pack to plumb if needed.
- Inject silicone under end of floor channels to bond to tile and hold in place with adhesive blocks.
- Select corner joiner as drawings, fit in place and end clip to large return (5)



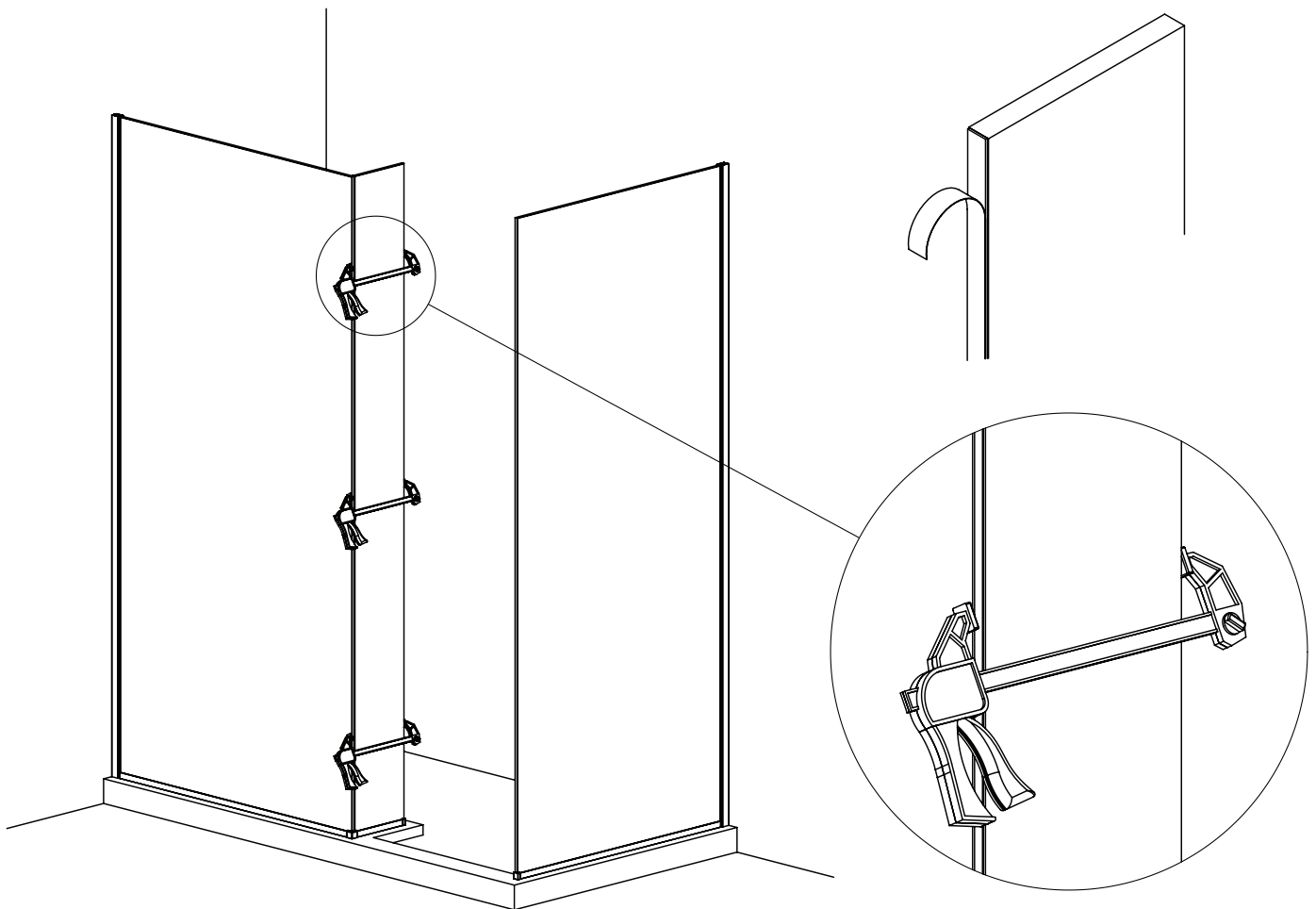
IMPORTANT!

Be sure you select the right clip for your corner.
Of the two options provided only one will work.

INSTALLATION

STEP 3

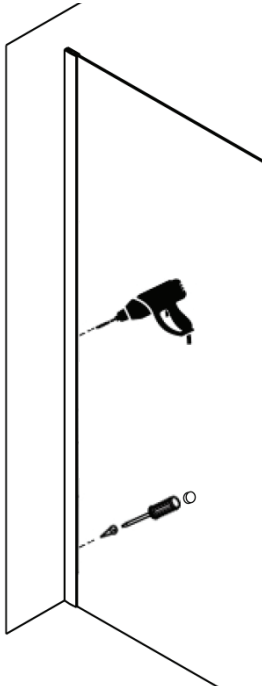
- Fit up the small Return Glass panel (7). Leave the backing tape on the adhesive strip and check alignment to the corner bracket and glass fit at corner.
- Clean the Glass face where the adhesive will bond with Meth's or Isopropyl Alcohol. With the assistance of a second person, remove the backing tape and carefully align the small Return Glass starting from the bottom and work up.
- Use the plastic fast action clamps and apply pressure to fully activate the bond (work up and down the join applying pressure with clamps).
- Line up Small Return Glass (7) hold in place with adhesive blocks.
- Inject silicone under end of floor channel to bond to tiles and fit end clip.



INSTALLATION

STEP 4

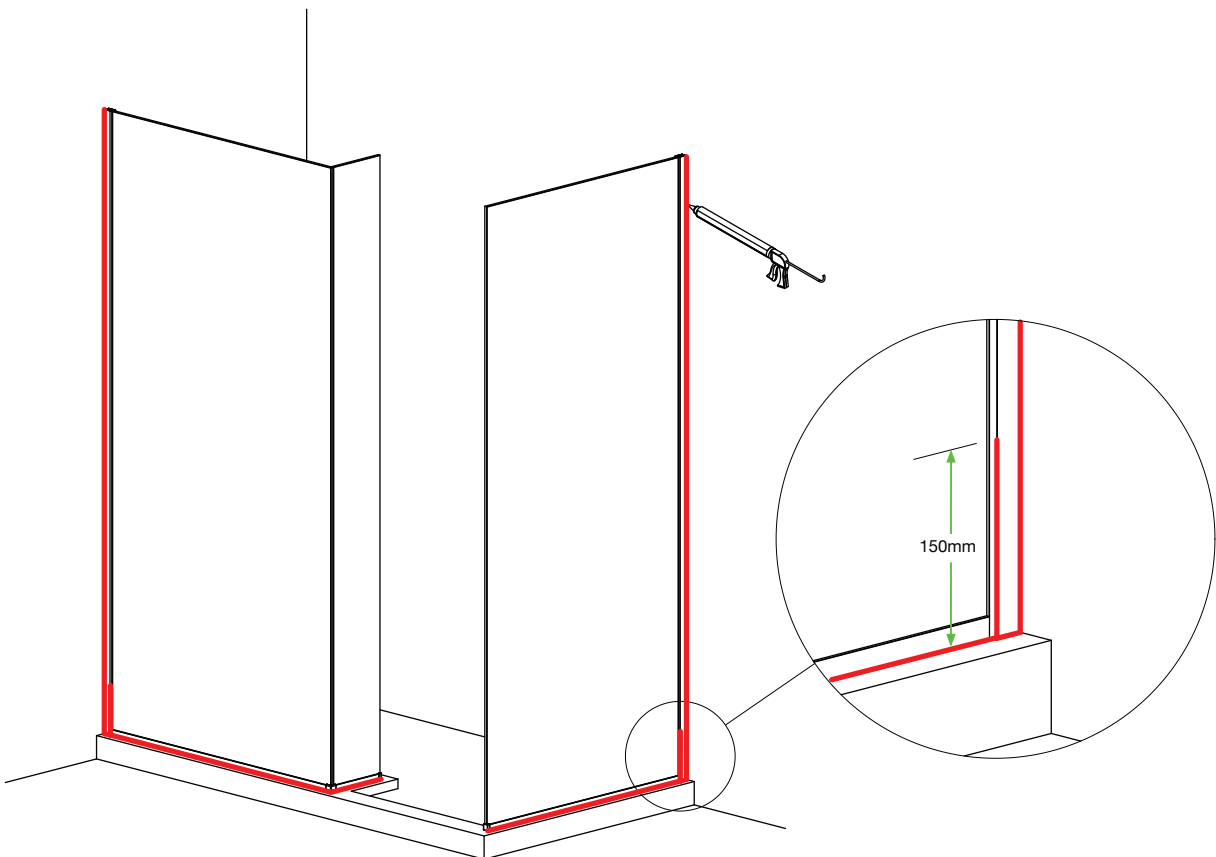
Fasten Shower Screen to Wall Channels with short screws provided and fit screw caps.



STEP 5

Apply silicone as indicated in Diagram. Clean up excess.

Leave for 24 hrs for curing of silicone.





Freephone: 0508 639 5463 **Phone:** 09 444 2053

Email: info@newline.co.nz **www.newline.co.nz**