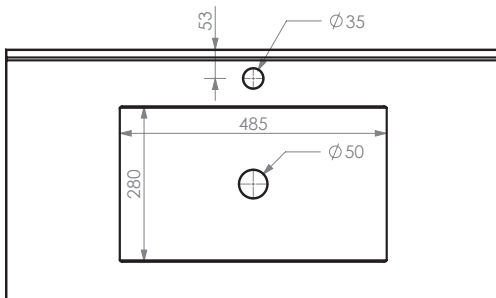
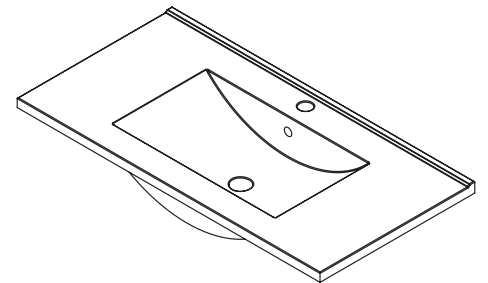
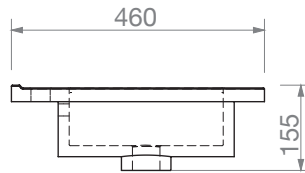
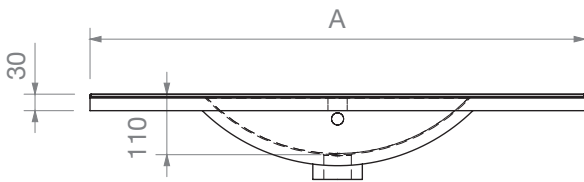




COMPOSITE TOP

FEATURES:

- Overflow included
- Composite Stone Material
- To Suit 40mm Waste
- Bowl Depth 110mm



Model	Basin Width (A)
600	600mm
750	750mm
900	900mm
1200	1200mm

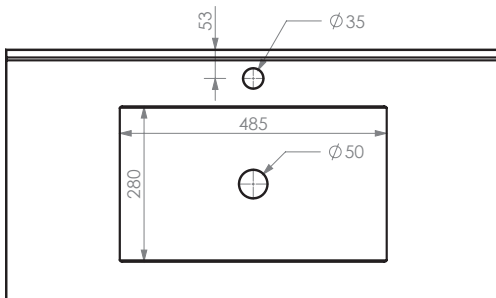
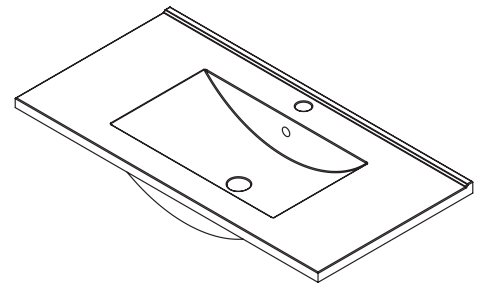
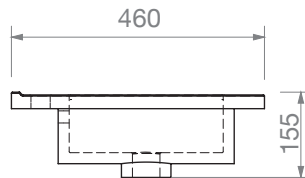
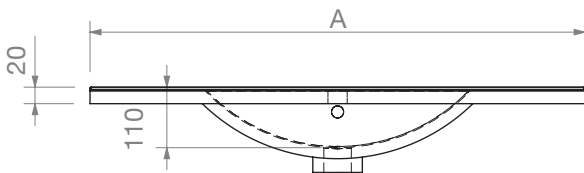
TOP DIMENSIONS
(+ or - 3mm)



VITREOUS CHINA TOP

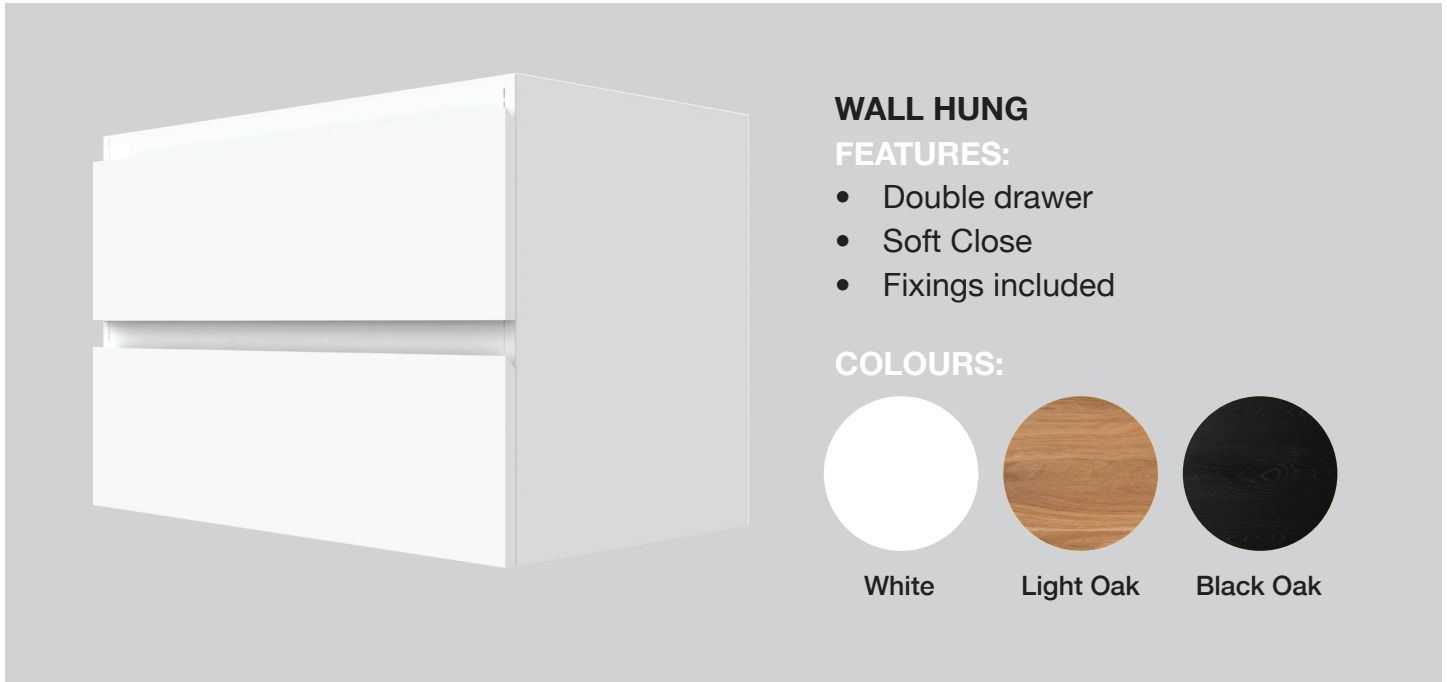
FEATURES:

- Overflow included
- Vitreous China Material
- To Suit 40mm Waste
- Bowl Depth 110mm



Model	Basin Width (A)
600	600mm
750	750mm
900	900mm
1200	1200mm

TOP DIMENSIONS
(+ or - 5mm)



WALL HUNG

FEATURES:

- Double drawer
- Soft Close
- Fixings included

COLOURS:



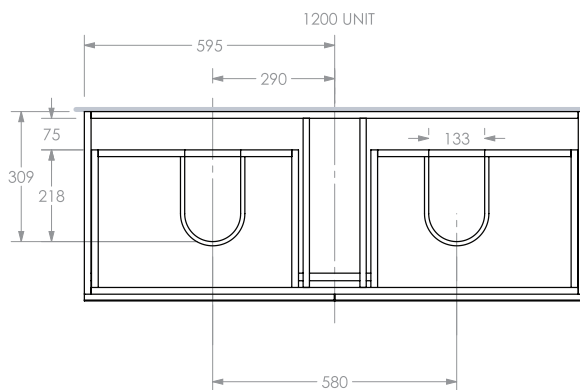
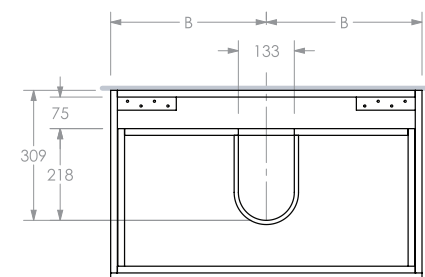
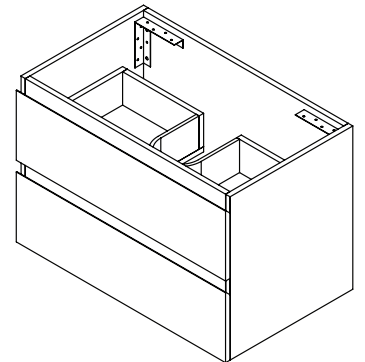
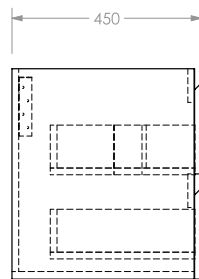
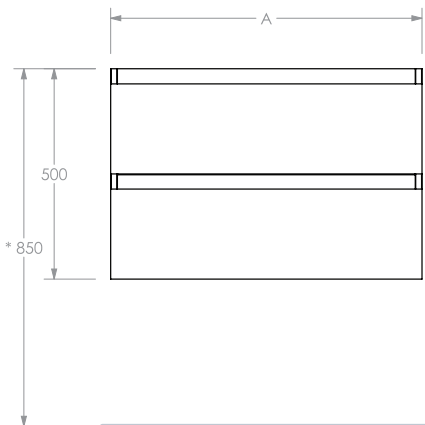
White



Light Oak



Black Oak



Model	A	B
600 (Single drawer)	590mm	295mm
750	740mm	370mm
900	890mm	445mm
1200	1190mm	595mm

*SUGGESTED HEIGHT: Adjust for height preference allowing for height of sink

BASE DIMENSIONS
(+ or - 3mm)



FLOOR STANDING

FEATURES:

- Double drawer
- Soft Close
- Fixings included

COLOURS:



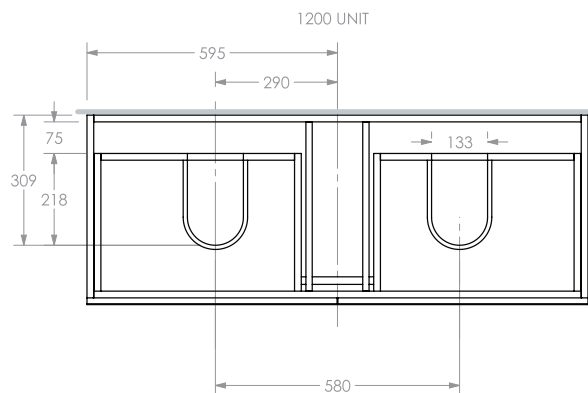
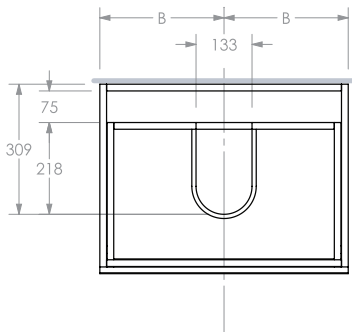
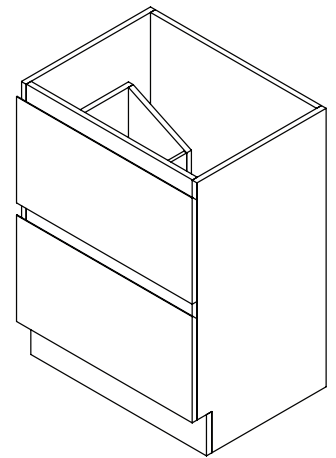
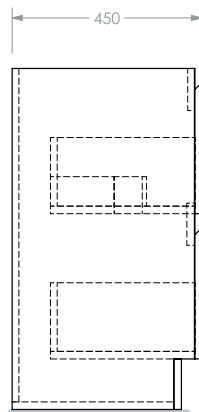
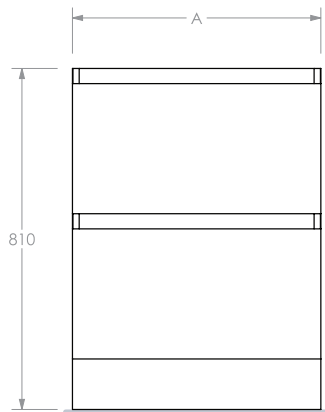
White



Light Oak



Black Oak



Model	A	B
600	590mm	295mm
750	740mm	370mm
900	890mm	445mm
1200	1190mm	595mm

BASE DIMENSIONS
(+ or - 3mm)



COMPACT WALL HUNG

FEATURES:

- Soft Close Drawers
- Double Door Unit
- 5 Year Warranty

COLOURS:



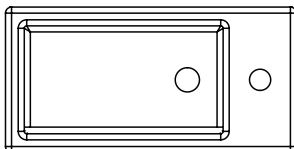
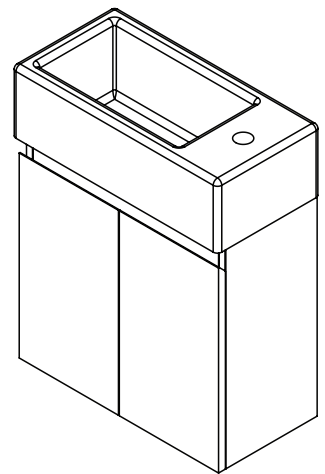
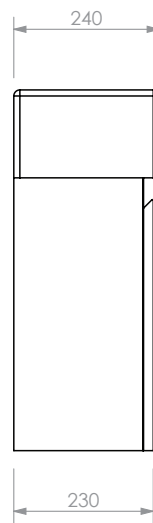
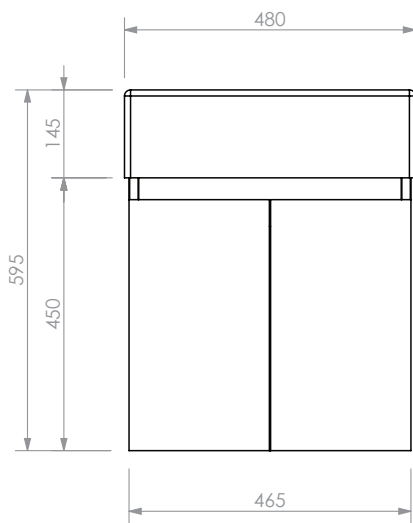
White



Light Oak



Black Oak



BASE DIMENSIONS
(+ or - 3mm)



FEATURES:

- Soft Close Drawers
- Double Door Unit
- 5 Year Warranty

COLOURS:



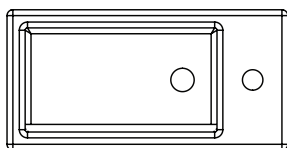
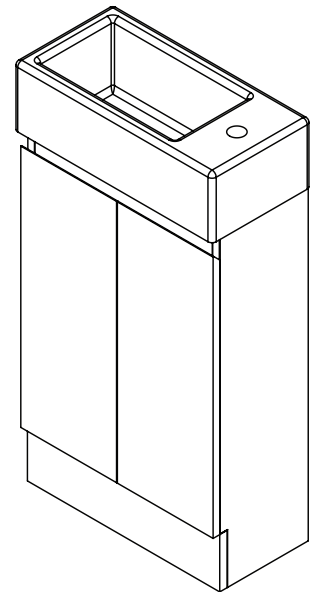
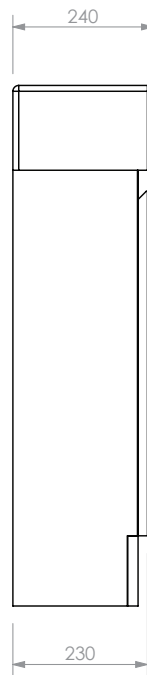
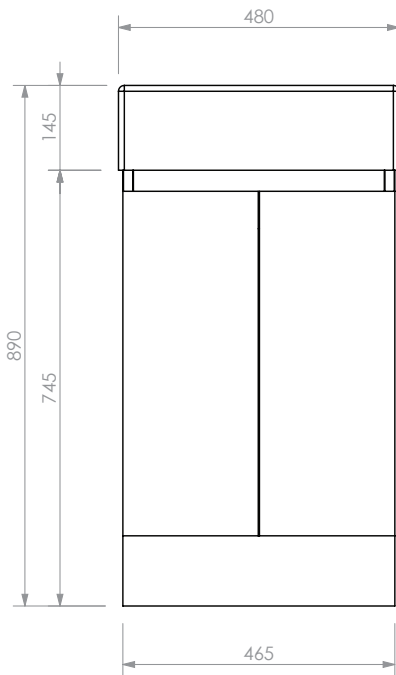
White



Light Oak



Black Oak



BASE DIMENSIONS
(+ or - 3mm)