

2-SIDED AND 3-SIDED ALCOVE DESIGNS



Important!

1. When you receive your Acrylic Tray and Liner, check that they are the correct type, size, and free of freight damage or any other defect.
2. Advise Newline on 0508 639 5463 of any damage or defects within 8 hours of receiving the goods so this can be rectified.
3. It is essential that items 1 & 2 are followed as installation of incorrect or damaged product will void warranty.

IMPORTANT INFORMATION

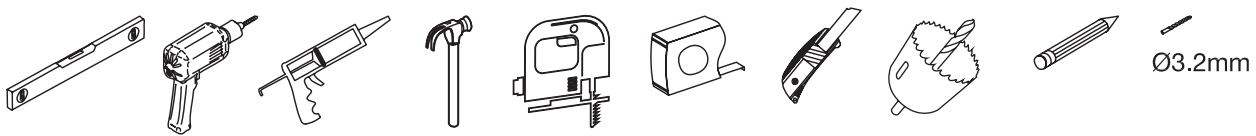
WARRANTY

- Products supplied are free of defects with a 5 year cover. Installation outside of these instructions will void the warranty.
- Hot water temperature must be regulated to 55 degrees to comply with the warranty.
- Full warranty information can be obtained at www.newline.co.nz

HEALTH AND SAFETY

- Keep room well ventilated to dissipate glue vapours.

TOOLS REQUIRED



PACKAGE LIST

1x Newline Acrylic Shower Tray

1x Easyclean waste

1x Newline Acrylic Shower Liner

1x Max Bond Cartridge (Glue for Tray)

Acrylic Liner Sika Shower Bond Cartridges: 3 cartridges for 2 sided shower and 4 cartridges for 3 sided shower.

IMPORTANT!

Working with acrylic materials: Take care not to chip or scratch the surfaces.

Drilling: Use twist drills or hole saws suitable for wood. Work must be well supported on both sides around the holes to be drilled. Sharp drills are essential to achieve a clean cut.

Cutting of Liner: This is not normally necessary provided walls and floor are to specs. Small corrections to an edge can be achieved with a sharp plane.

NEWLINE RECOMMENDS A SKILLED TRADESMAN ACQUAINTED WITH SHOWER INSTALLATIONS IS USED TO ENSURE THE VERY BEST OUTCOME.

PREPARATION CHECKLIST

The builder is responsible for these steps to enable a successful shower installation.

The Floor: Must be flat, level with no deflection. Remedial action may require.

1. Additional framing to support the floor.
2. Grinding, sanding or levelling compound to establish level.
3. Packers or expandable foam are not acceptable for levelling a tray.

Wall Framing: Use page 4 for 2-Sided, page 5 for 3-Sided Alcove along with specifics below.

1. The walls must be flat, plumb with internal corners at 90 degrees.
2. The tray requires a horizontal batten in the wall for support (Diagram A on Page 4).
3. Solid fixing for shower wall profile channels is flush off outside of shower tray edge. Must be 90mm faced crosswise.
4. 3-Sided Alcove Tray: Page 5 gives specific details of aligning tray and framing.

The Wall Board

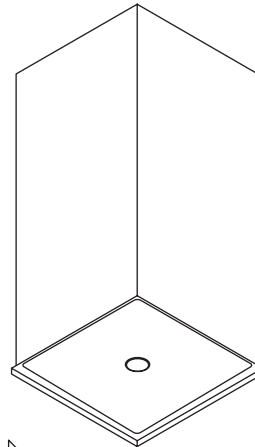
1. This must be an accredited for "Wet Areas" complying with the NZ Building Code.
2. This system is based on 10mm thickness and must have absorbent surface for glues.
3. There must be no paint, stopping material, sealer or sanding dust on the surface.

Plumbing: All waste and supply installation must be undertaken by a licenced plumber.

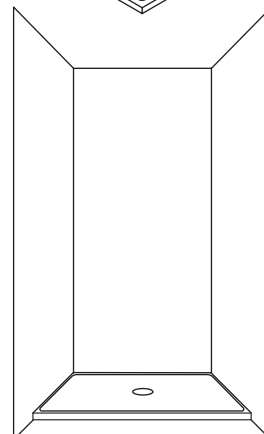
PREPARATION CHECKLIST

Wallboard lining of Shower Walls

Two-Sided: This can be installed after wallboard lining provided all frame detailing is complete. Place the tray against the lined wall and mark 4mm above the tray upstand and trim this lower section of wallboard out.

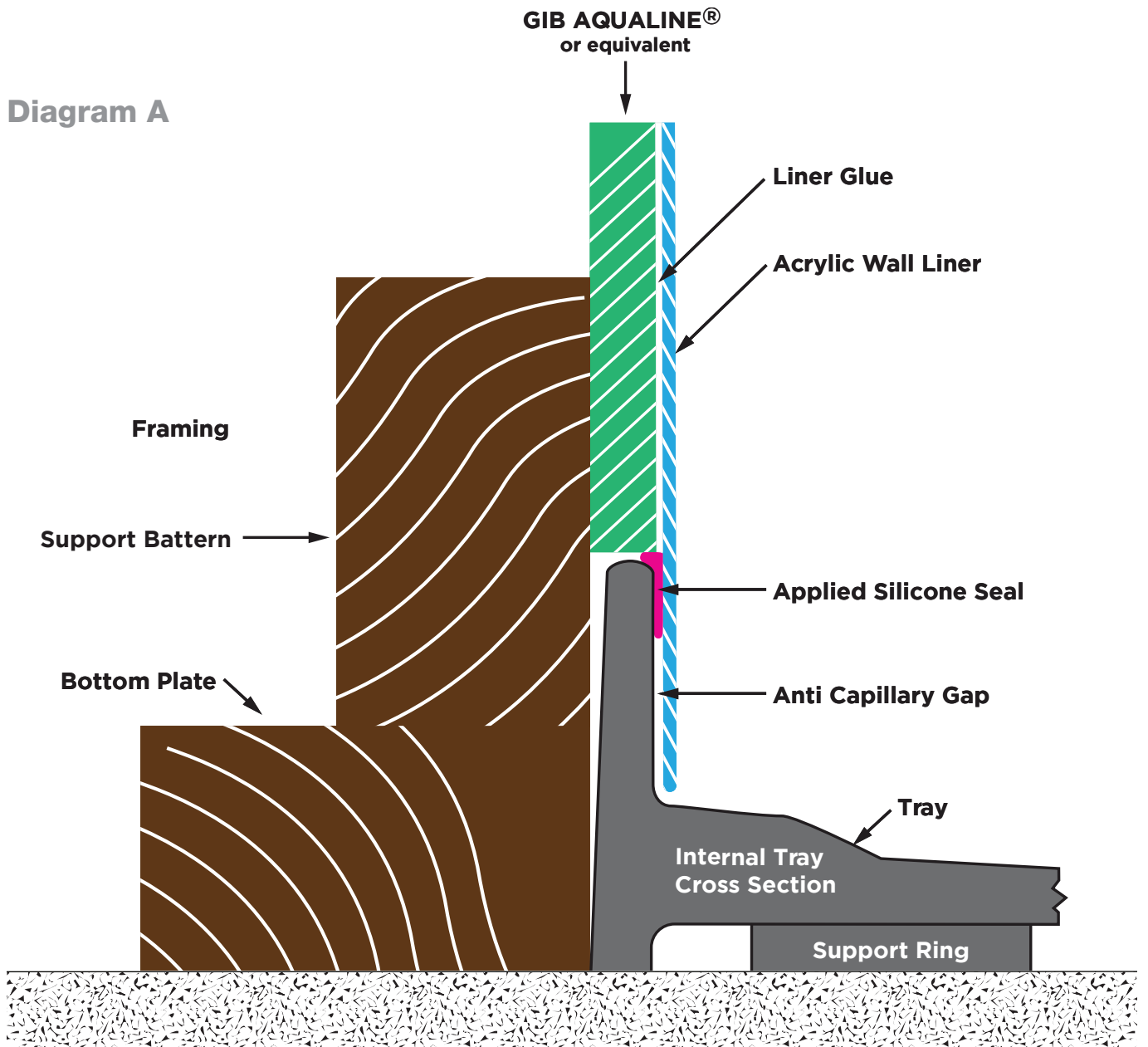


Three-Sided Alcove: It is more practical to leave the lining off and install the tray first and then complete lining.



INSTALLATION 2-SIDED TRAY LAYOUT

NEXT PAGE 3-SIDED ALCOVE: Full guidance by Table 1 and Diagram B



INSTALLATION 3-SIDED ALCOVE TRAY LAYOUT

STEPS TO UTILIZE TABLE 1

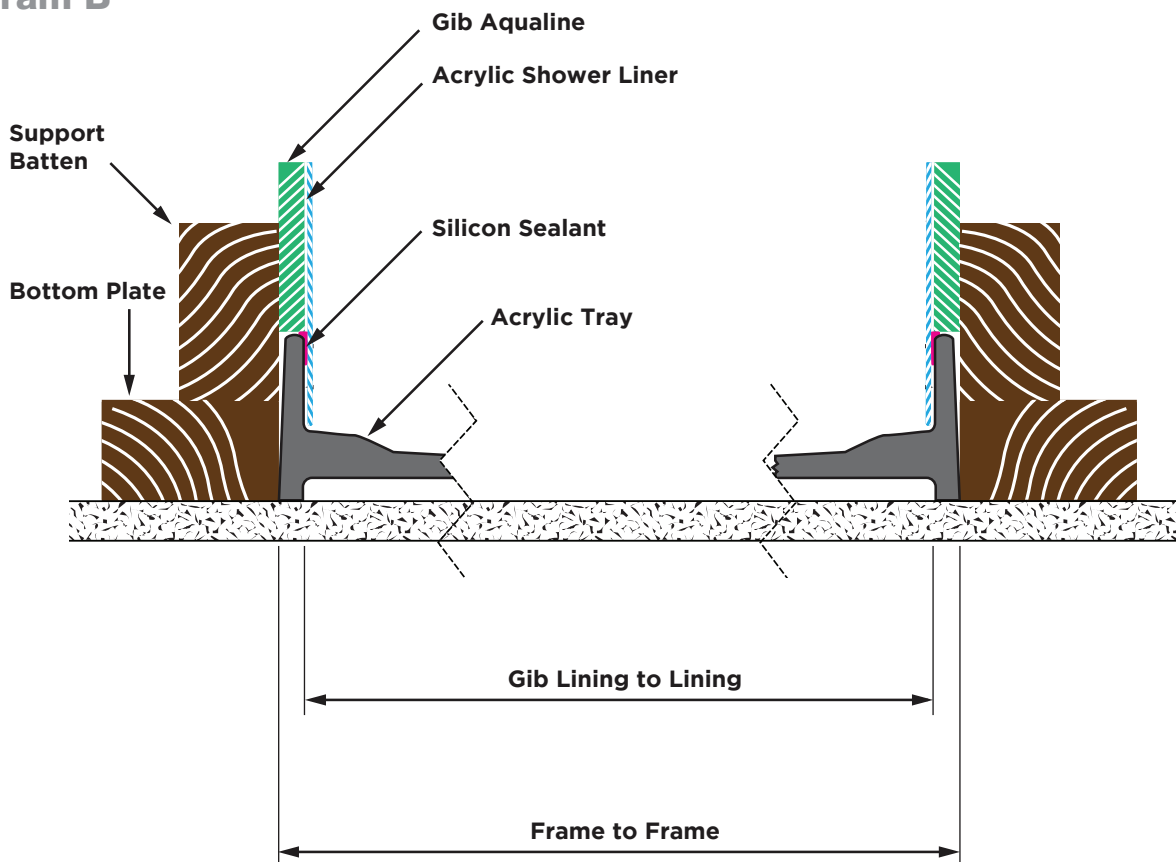
1. Use the specifications to position Framing and Tray so the Gib lined walls measure across as per the Table 1.
2. The tray dimensions may vary +/- 3mm. This is within manufacturing tolerance.
3. Framing may have to be rebated to adapt to tray variances to ensure Gib lining to lining is correct.
4. It is important that the acrylic liner has a clearance at the back wall for glue and slight variances to plumb and straight walls. This will be approx. 5mm.

IMPORTANT! Alcove walls if not plumb and flat can double the risk of the liner not fitting even with the tray installed correctly to frame and lining specs outlined in Table 1.

TABLE 1

TRAY SIZE	TRAY WIDTH +/- 3MM	FRAME TO FRAME	GIB LINING TO LINING	LINER BACK WALL O/A WIDTH +/- 1MM
900 x 750	900	900	880	875
900 x 900	900	900	880	875
1000 x 1000	1000	1000	980	975
1200 x 900	1200	1200	1180	1175

Diagram B



NOTE: For Alcove installations one wall is often not fixed in place until the acrylic tray is on site to simplify any changes to the framing adjacent to the tray if required.

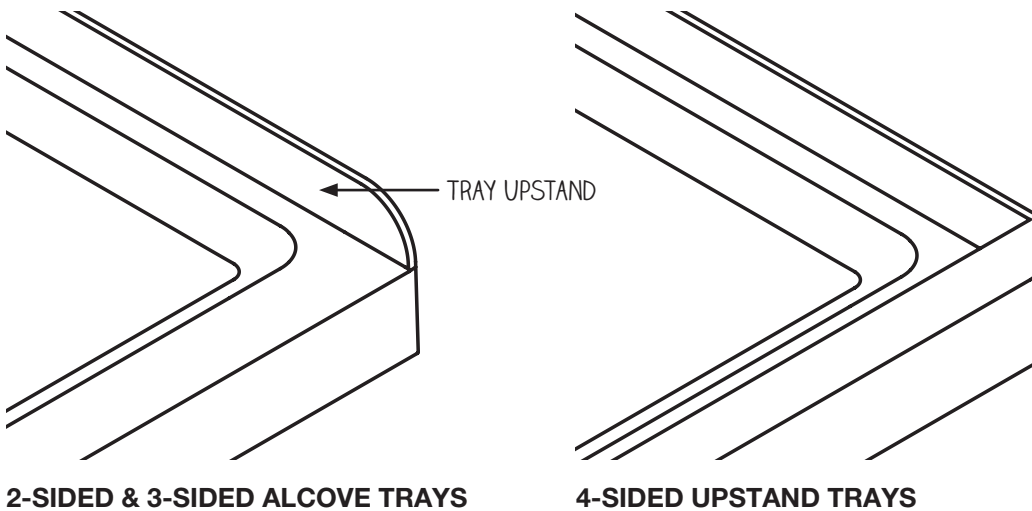
INSTALLATION FITTING & BONDING OF TRAY

Before you start gluing: *Have the relevant items on the last 3 pages been done?*

STEP 1

- Peel protective film off the tray and check there are no defects. Cut and tape down a section of the tray box to protect the surface during installation and stop any item going down the drain.
- Fit up tray. Upstand is at least 1 mm to 1.5mm under the final outside Gib or Vilaboard cladding line. Trim a little off the framing if required (Diagram A, Page 4).

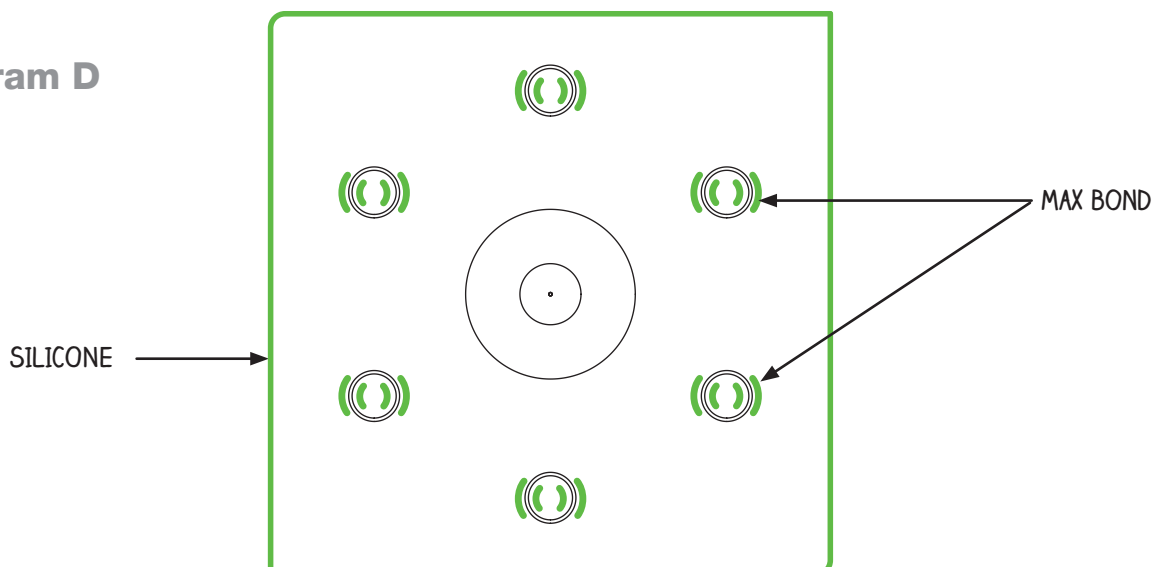
Diagram C



STEP 2:

- Glue the tray down with Maxbond at the rings underneath. Apply a small seal of silicone underneath the outside edge and place and hold the tray in position against the wall framing and with a little downward weight. **NOTE:** The Maxibond is best applied on the inside and outside of the rings, 50mm long on opposite sides as shown in the below diagram. Use sufficient glue to slump to floor when placed the right way up. Do not stand on tray for 24 hours minimum after installation.
- Connect the Easy Clean waste.

Diagram D



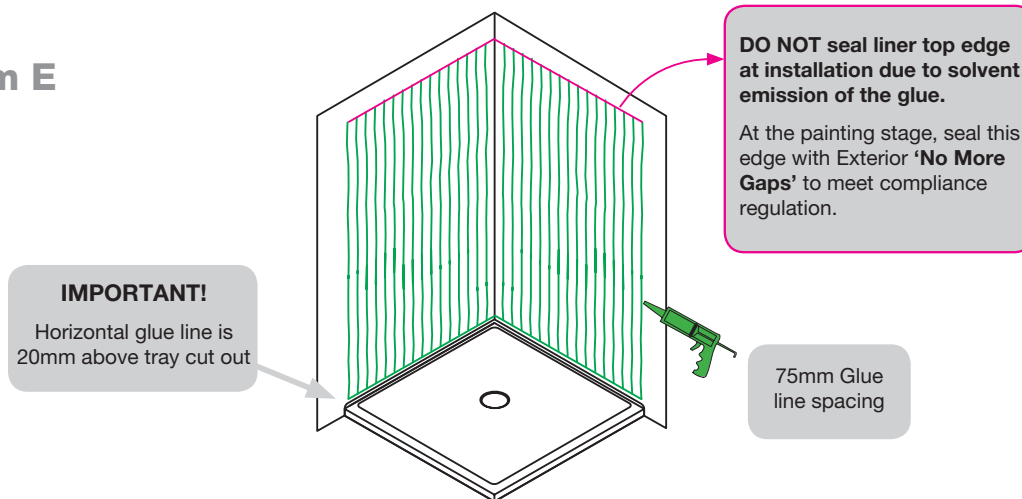
INSTALLATION FITTING & BONDING OF LINER

STEP 3: Wall Liner Installation

Marking Out

- Stand the liner into position and check lower edge for fit to tray and if needed trim lower edge with a sharp plane. **Note: Re 4-Sided Upstand Trays:** Notch the liner at outside bottom to fit into tray.
- With a soft pencil or masking tape, spot the outside boundary of the liner.
- Measure all plumbing fittings on the wall. Transfer these to the liner and drill with a hole saw.
- Mark out the glue pattern on the wall, 30mm in from the perimeter and at 75mm apart in vertical lines. Also one horizontal line 20mm above the acrylic tray.

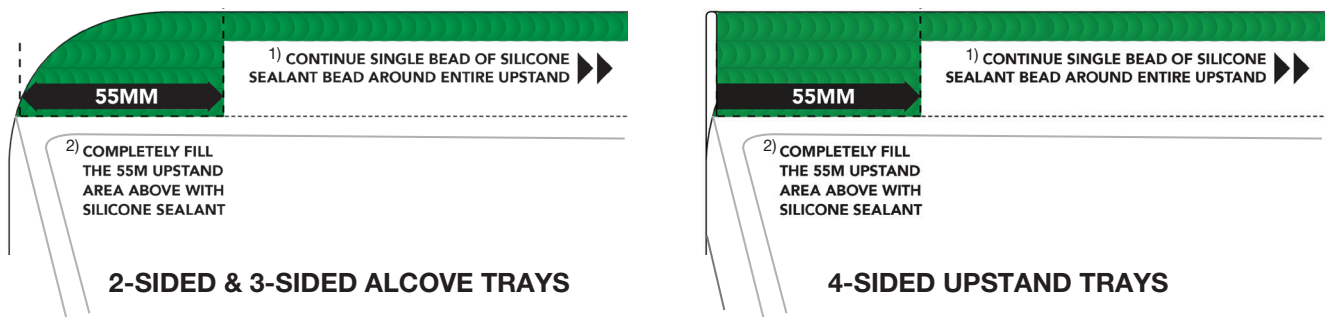
Diagram E



Bonding/Sealing

1. Apply a NG Silicone bead around the upstand of the Acrylic Tray with sufficient build past the GIB outer surface to ensure a seal to the acrylic liner (Diagram A, Page 4)
2. The outer 55mm requires a full build of NG Silicone (Diagram E).
3. Follow through quickly and apply showerbond to marked lines. If installing a moulded liner apply glue to the adhering face of the mould edges also.

Diagram F



Install Wall Liner

- Position liner on the wall with the inner corner first and working out from there.
- From the inside corner apply pressure with a roller or shaped board covered in soft material and work across the surface to flatten out the glue. Brace any area that maybe required and take specific attention to the area of the horizontal glue line. Leave bracing in place for 12 hrs.

Acrylic Mould Details

- Apply pressure around the detailing of this mould to ensure it is against the wall board.
- **IMPORTANT!** If installing a corner moulding, the glass shelves must be fitted when liner is in place to compress the glue so the glass fits.

CONTACT

NEWLINE
for a lifetime!

Freephone: 0508 639 5463 Phone: 09 444 2053

Email: info@newline.co.nz www.newline.co.nz