

Important

1. When you receive your Aston shower, check contents for any freight damage or defect.
2. If this is a custom order, the size will be on the outside of the box. Check if this is correct.
3. Advise Newline on 0508 639 5463 if any damage has occurred or questions on the size within 8 hours of receiving the goods so this can be rectified.
4. Do not install any faulty product as this will invalidate later claims.

BEFORE YOU START



1. It is required that the installer must be skilled in this type of installation.
2. The Tray Base, Plumbing, Waterproofing, Water Stops and Tiling must be compliant with all regulations and are not included in this document.
3. The walls must be a 3mm maximum variation to plumb up to the shower height. The floor must have a maximum variation of 3mm to level within shower.
4. The ordered Shower Specification must be matched to your Tray Design.
5. Read these current instructions through, familiarise yourself with all aspects of installation, tools & equipment required, and materials used.

HEALTH AND SAFETY



1. Unpack glass, stand on soft packing on floor and walls prior to assembly.
2. Do not rework glass panels. Avoid striking any edge as toughened glass will explode.
3. Two persons for heavy glass lifting especially fitting/installing into channels.
4. Wear appropriate protective clothing, gloves, and eye protection during installation.

WARRANTY

- This covers faulty goods. Visit newline.nz for details.
- Installation instructions must be followed for the warranty to be valid.

ATTENTION

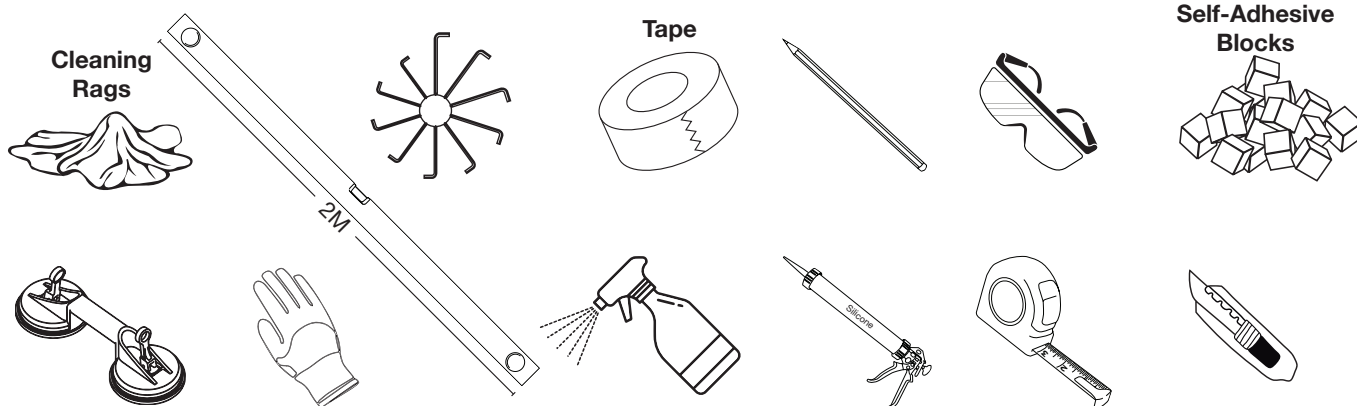


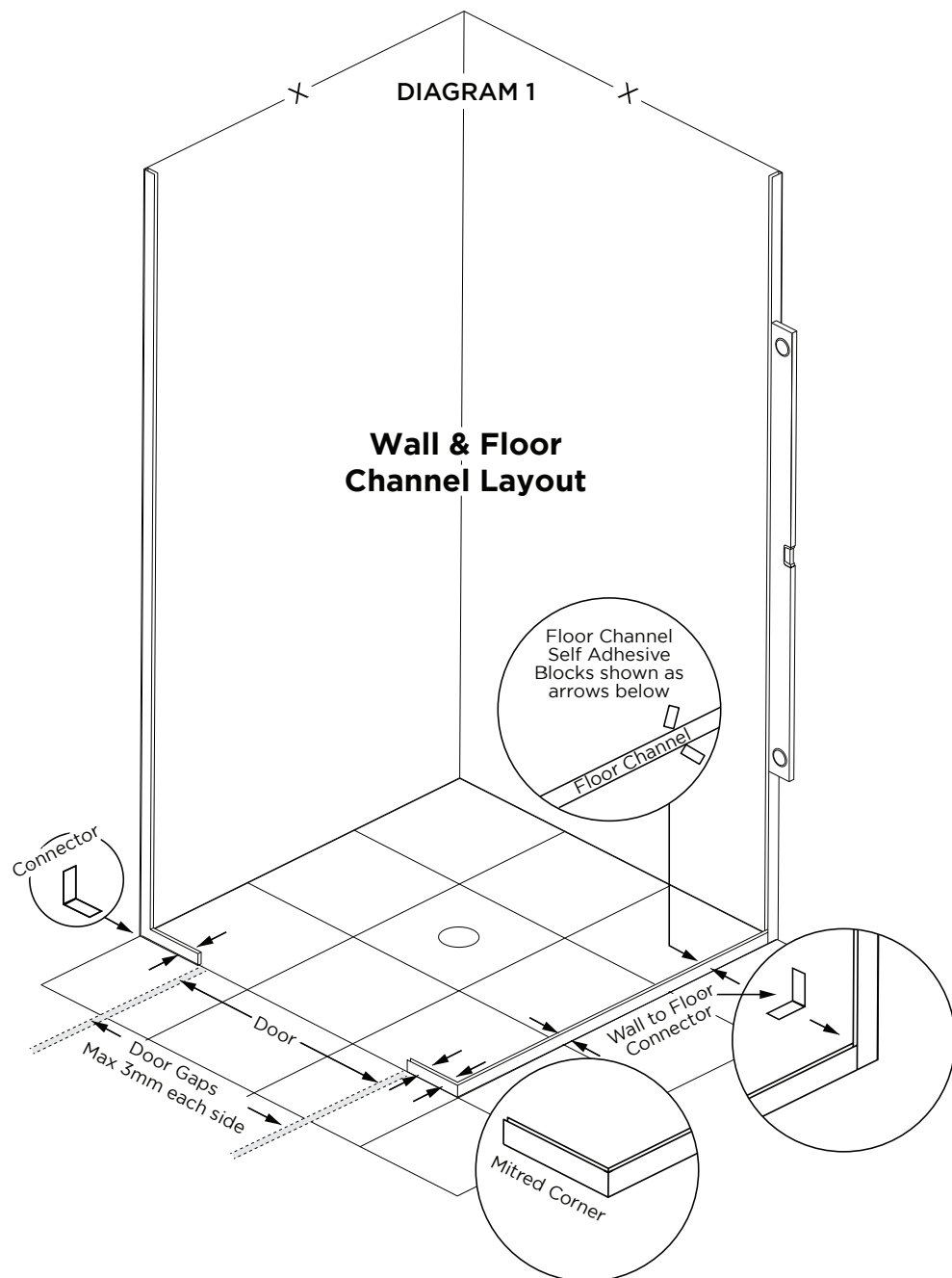
1. Aluminium Channels must be fully protected against scratches and abrasions.
2. Channels are inspected and packed in a plastic tube for you to check. Do not install any channel that has a defect.
3. Apply a protection tape to the faces of the wall channels before you start.
4. It is the installer's responsibility that all installation complies with council regulations.
5. Tape down cardboard packaging on Tile Tray to protect against tool or other potential impacts or contamination.

PARTS SUPPLIED

Glass Panels • Wall & Floor Channel Set • Bostik V60 • Hinges & Hardware • Glass Packer Set • 2 Connector Angles

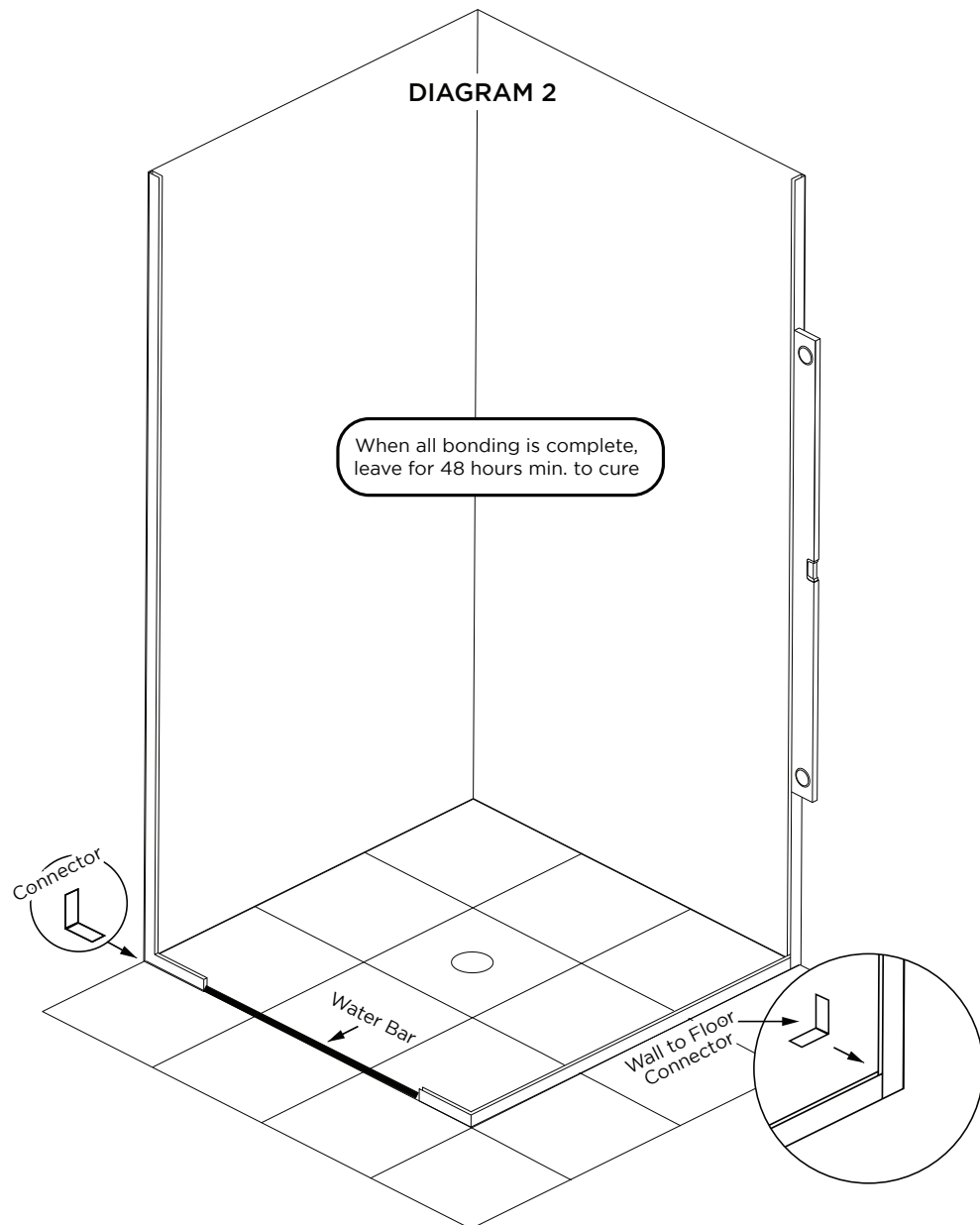
TOOLS AND MATERIALS REQUIRED





Channel Set Placing

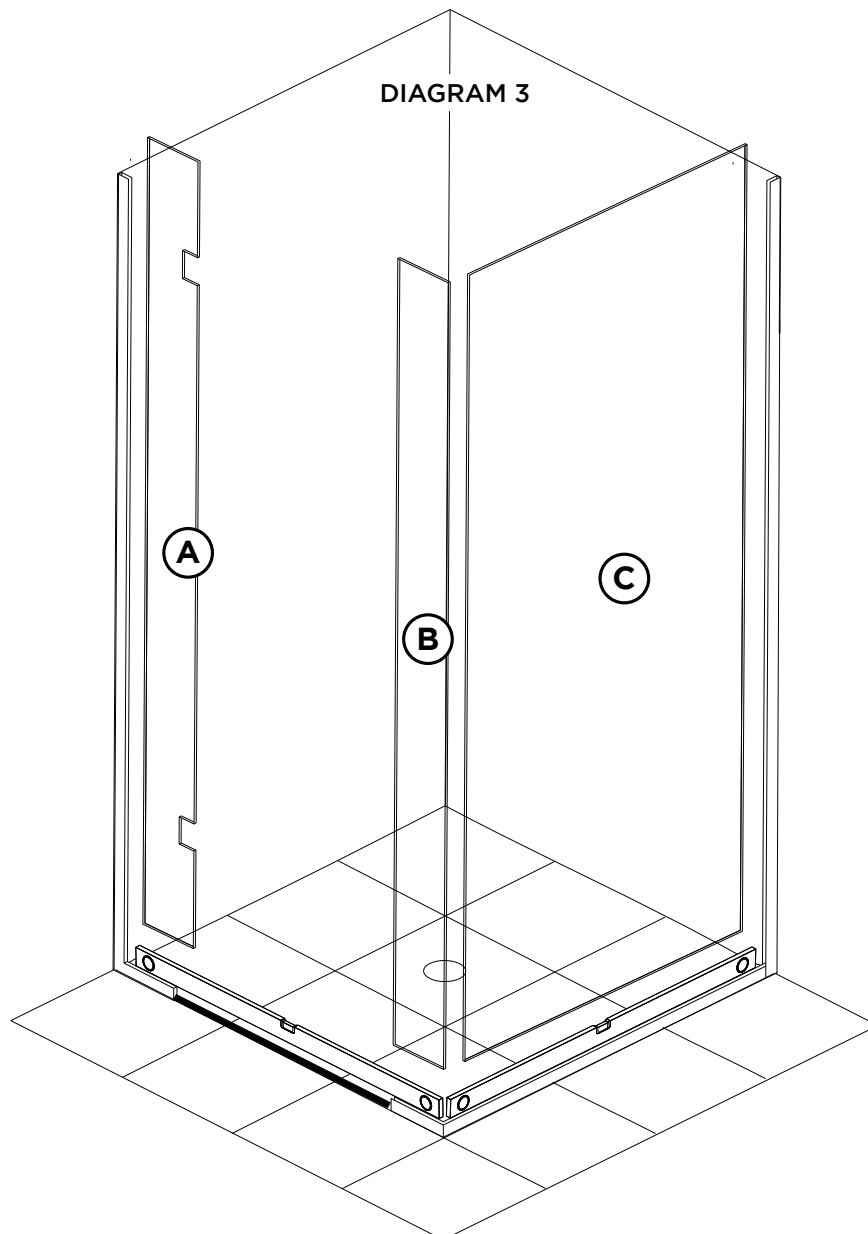
1. Clean tiles where channels are to be laid.
2. From specification sheet in your kit, layout wall channels, floor channels and mark positions.
3. Place self-adhesive blocks to hold floor channels as arrows.



Bonding Steps

1. At the marked positions bond wall channels first. Check with level after fitting.
2. Bond floor channels positioned to self-adhesive blocks, add a little silicone inside channel corner, insert the wall-to-floor connector to line up both channels and clean out any excess silicone.
3. Bond Water Bar positioned under door plus gaps.
4. Clean up all excess silicone.

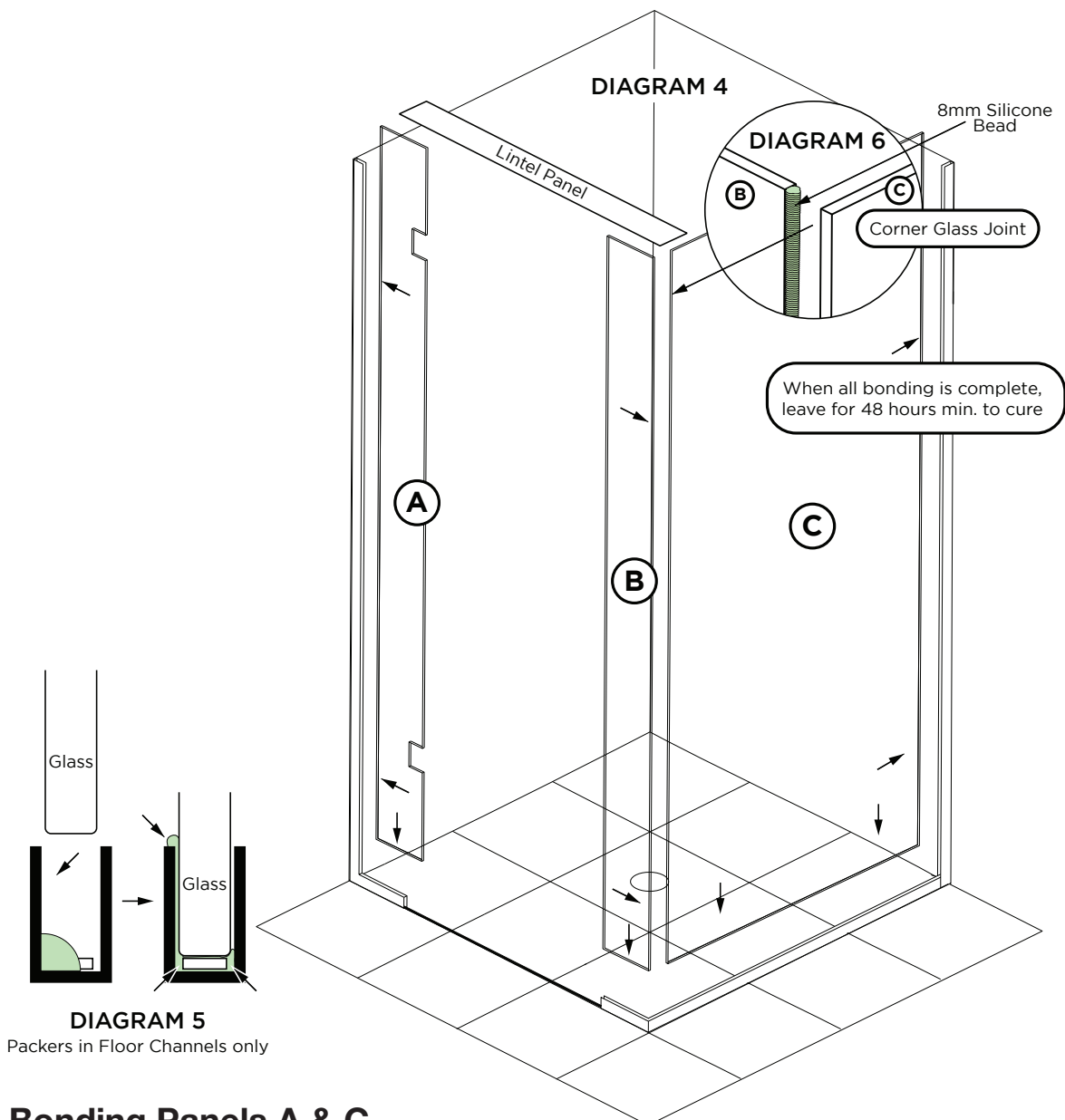
Note: All bonding must use Bostik V60



Glass Packer Levelling

First assess the overall scope of floor channels to level

1. Below Glass Panel A: Fit 2mm packer and select packers under Panel B to level up to corner.
2. Below Glass Panel C: Start at outside corner packer selecting packers across to wall at level.
3. Two steps to check this packing:
 - Lay packers 90 degrees across top of floor channels, check with level and correct if needed.
 - Insert packers in channels, with assistance carefully DryFit glass panels to ensure all alignment are correct including top line of panels.
4. Carefully remove glass panels for bonding.



Bonding Panels A & C

Apply a continuous bead of silicone on inside of floor and wall channels (Diagram 5)

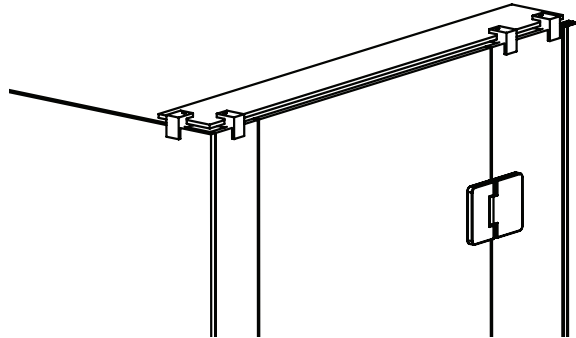
1. A Panel: Positioning this at base and with level plum this up. Tape at the top to hold glass to position.
2. C Panel: With assistance carefully install this panel in place.

Corner Glass Joint: Panel B to C

1. Mask each side of silicone joint on both B and C to minimize silicone clean up later.
2. Apply silicone at floor of B channel, and then apply a continuous bead of silicone down leading edge of Panel B (as Diagram 6).
3. Place down into floor channel. First push over to position at bottom and slowly rotate glass edge up to panel C until the bond width is reached. Hold with 90 degree suction clamps or tape.

Clean up spray soapy water and with plastic blade to clean up all silicone excess.

Fit lintel to top of A, B, & C glass, adjust as required and tighten up.



Door Install

1. Fasten the hinge onto panel A with screws to inside.
2. Fasten the door handle to door for extra hold position.
3. Place wood packers angled slightly outwards on floor to support door.
4. Position door on packers to elevate door height to line up to hinge. Slide door to hinges and evenly tighten screws.
5. Check and re-adjust door as required and retighten hinges evenly but do not overtighten.
6. Repeat tightening process two more times before leaving site to give the gaskets a chance to bed in.
7. Fit seal to bottom of door.

