

## Important!

---

1. When you receive your Newline Vanity package please check for any freight damage.
2. If damage has occurred, advise your supplier within 8 hours.
3. Do not install any faulty product as this will invalidate later claims.

### Aftercare Information

<https://newline.nz/wp-content/uploads/2023/08/Newline-Aftercare-and-Maintenance-Doc.pdf>

# VELINO HANDLE VANITY INSTALLATION

## PLEASE READ CAREFULLY

### WARRANTY

1. This covers faulty product. Check [www.newline.co.nz](http://www.newline.co.nz) for full details of warranty.
2. Any breakage on site will not be covered.
3. The installation must conform to these instructions for the warranty to apply.
4. Compliance with NZ Building code clause G4 on ventilation is required in a bathroom.
5. Aftercare details in these instructions must be adhered to.

### HEALTH AND SAFETY

- Some vanities are heavy and two-man lifting is recommended. Provide support under wall hung units to simplify installation process.
- Determine positioning of wiring and piping within cavity walls. Mark their position to ensure you are protected and services are not damaged.

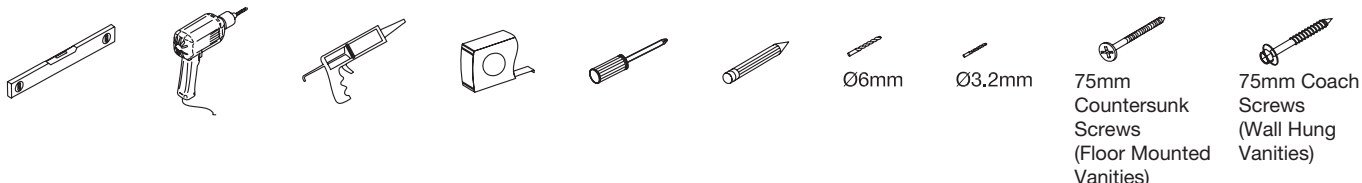
### MATERIALS REQUIRED

- Masking tape
- Bathroom Silicone (wide adhesion features including plastics)
- Cleaning materials

### INSTALLATION TYPE

Wall Hung Vanity Installation: Page 3  
Floor Standing Vanity Installation: Page 4

### TOOLS & FASTENINGS REQUIRED



Complete tiling prior to vanity installation. Warranty claims don't cover renewal of wall finishings.

## IMPORTANT NOTICE: Vanity Installer, Plumber, and House Owner/Occupier

All personnel outlined have specific responsibilities to protect this vanity from water damage. Newline Vanity surfaces are water resistant, but not classified as waterproof.

### Vanity Installer

1. Establish solid fastening to the wall.
2. All joints in cabinet, internal edges and cabinet to wall must be sealed.

### Plumber

1. Must be a registered plumber with all work to Building Code Compliance.
2. Hot water supply must not exceed 55 degrees.
3. Ensure the water pressure is balanced to the basin size to minimize water splash.
4. Seal all cabinet plumbing penetrations through the cabinet.

### House Owner/Occupier

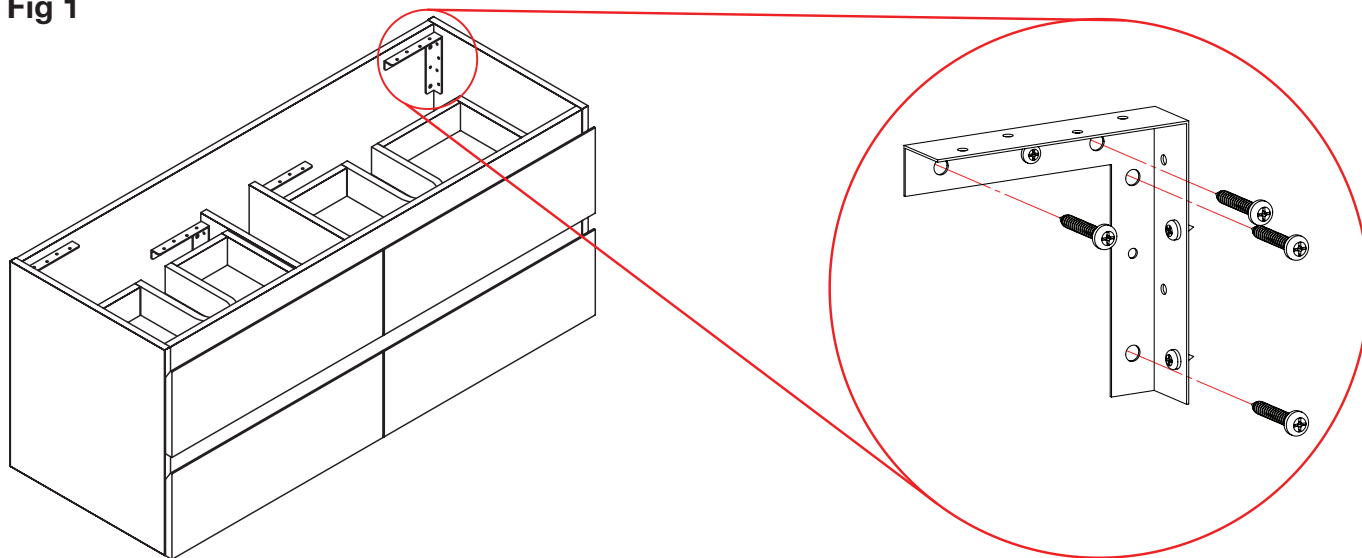
1. Provide a ventilation system that complies with NZ building code G4.
2. Use ventilation when moisture vapour is present in the room.
3. Water from cleaning or spills are dried off without delay with an absorbent cloth.

**Newline doesn't include a warranty for water damage as onsite personnel are responsible.**

## WALL HUNG VANITY INSTALLATION

- 1 Mark the height (from 800mm to 900mm - owners choice) and locate top and bottom frame points to secure the unit.
- 2 **FASTENING TO THE WALL:** A wall hung vanity needs solid fixing for attachment to the wall. Provide this prior to fixing the wall lining. In some cases, existing framing may be sufficient (Fig 1).

Fig 1




- 3 For installation of pipes it is easier to remove the doors and the drawers. Store them carefully and number their locations (drawer removal and reinstall, page 5).
- 4 Mark and drill holes required for the water and waste fittings.
- 5 Support the unit level at the desired height. Fasten into the frame with 75mm coach screws. ⚠️ Ensure no distortion occurs when fastening as this effect draw alignments. The height adjustment disc (Page 5) offers a little adjustment.
- 6 Install the plumbing fittings to meet industry standards. Water test the fittings. Use a registered plumber to complete this task.
- 7 Fit the top in place. This should be flush at the back with even overlaps on each side. Check for any rocking movement to the cabinet (mostly applies to VC tops). Support this movement and apply a bead of silicone to bond these together (Note: There is a 5mm tolerance in VC tops).
- 8 Replace and adjust the doors and drawers. Reference Page 5 if “Soft Close” needs reactivating.
- 9 **SEAL ALL JOINS OF UNIT WITH SILICONE:** Vanity top onto cabinet, top and cabinet to wall and any joints susceptible to water penetration. To achieve an even and tidy finish use masking tape each side of the join.

**NOTE: Warranty claims will be invalid if water damage occurs after installation.**

**DO NOT USE FOR 24 HOURS UNTIL SILICONE BOND HAS CURED.**

## FLOOR STANDING VANITY INSTALLATION

- 1** Check the walls and floors are plumb, level and flat. Take remedial action or compensate for existing discrepancies in the installation process.
- 2** Locate the necessary framework in the wall to fasten the cabinet securely.
- 3** For installation of pipes it is easier to remove the doors and the drawers. Store them carefully and number their locations (drawer removal and reinstall, page 5).
- 4** Screw through the cabinet back panel to wall framing.  Ensure no distortion occurs when fastening as this effect draw alignments. The height adjustment disc (Page 5) offers a little adjustment.
- 5** Fit the top in place. This should be flush at the back with even overlaps on each side. Check for any rocking movement to the cabinet (mostly applies to VC tops). Support this movement and apply a bead of silicone to bond these together (Note: There is a 5mm tolerance in VC tops).
- 6** Install the plumbing fittings to meet industry standards and water test the fittings. Use a registered plumber to complete this task.
- 7** Replace and adjust the doors and drawers. Reference Page 5 if “Soft Close” needs reactivating.
- 8** **SEAL ALL JOINS OF UNIT WITH SILICONE:** Cabinet to floor, upstand to wall, cabinet and top to wall and any joints susceptible to water penetration. To achieve an even and tidy finish use masking tape each side of the join.

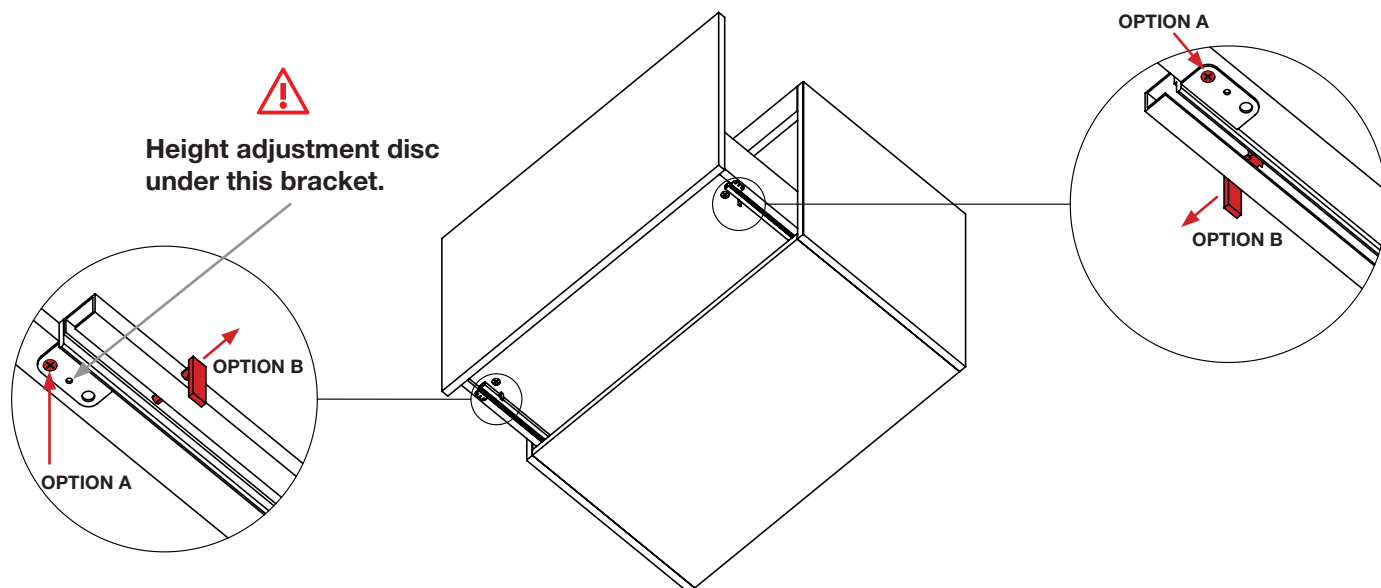
**NOTE: Warranty claims will be invalid if water damage occurs after installation.**

**DO NOT USE FOR 24 HOURS UNTIL SILICONE BOND HAS CURED.**

## REMOVAL OF DRAWER

In production there has been two means of fastening the sliding rails to end of draw.

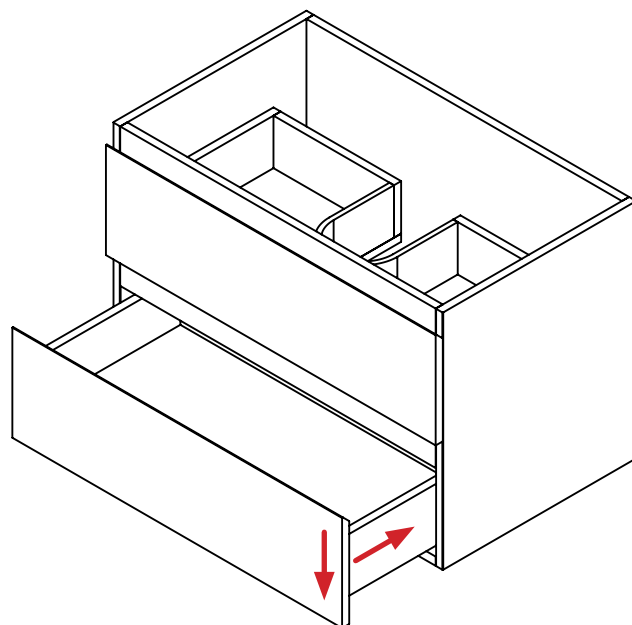
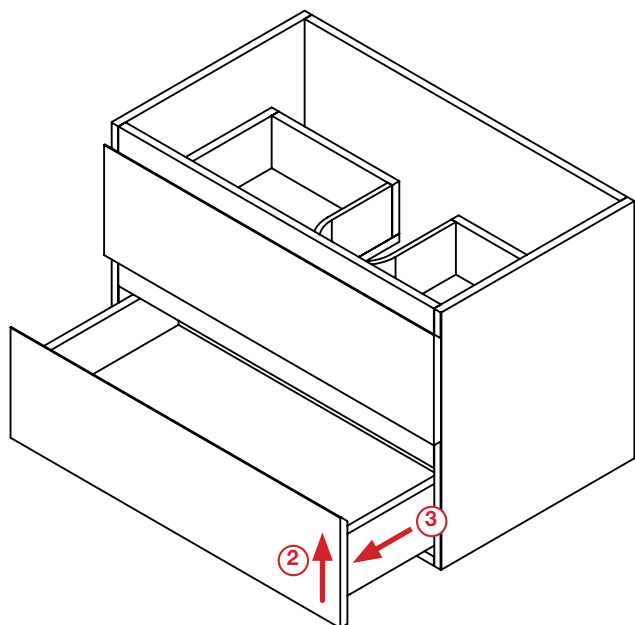
1. Option A - a small countersunk screw is used as indicated on drawing.
2. Option B - if no screw is in place slide both plastic lugs to centre to release.



3. Lift drawer up to clear front pin location.
4. Carefully pull draw forward and out.

## REINSTALL DRAWER

To reinstall drawer, make sure front and rear pins are engaged. Then reposition lugs into draw body.



Note: if drawer stops short of closing, this is due to the “soft close” mechanism needing reactivation. Push the drawer shut gently until it clicks. The soft close should now be fully active.