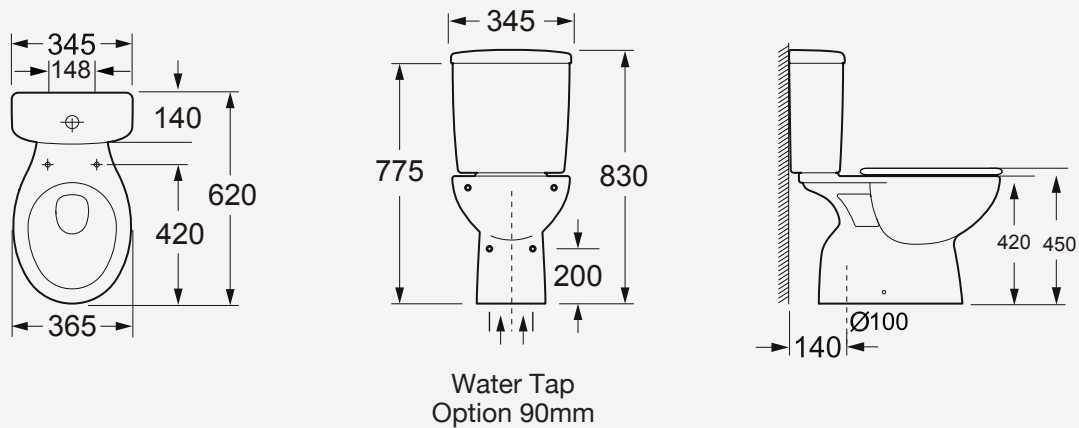


**INCLUDES: Pan, Soft Close Seat, Cistern, Valved, Inlet hose, Seals & Fastenings**  
Wells 4 Star rated with 4.5 & 3 ltr Dual Flush



**Important**

1. When you receive your product check the contents for any freight damage or defects.
2. If this is a custom order, the size will be on the outside of the box. Check that it is correct.
3. Advise Newline on 0508 639 5463 if any damage has occurred or if you have any questions about the size within 8 hours of receiving the goods so this can be rectified.
4. Do not install faulty products, as this will void your warranty.



**Before You Start**

1. **RH drawing:** Above shows waste position in relation to finished wall.
2. **Centre drawing:** Lower circles - Supply options. Top Circles - Inlet valve option.
3. **Next page drawing:** Preparation of floor/levelling and bedding for waste.
4. **Fastening Pan:** This must follow industry best practice.

**Cistern Assembly**

1. Take care in positioning valves, cistern to the pan seal guarding against any stresses or leaks.
2. The cistern has one hole at the back where it can be fastened to the wall.

**Water Connection**

1. Flush water supply and connect into flush inlet valve.
2. Fill Cistern, check water level and clearance when inlet valve shuts off and adjust if necessary.
3. With the cistern lid and button assembled run a flush test, checking for leaks at all connections.

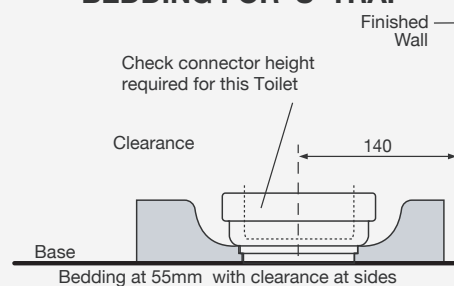
**Seat Fitting**

1. Install with the provided fastening set as provided.
2. Only fasten to the maximum of a hand tight as pliers may cause a breakage.
3. Note: The soft close is designed to be a quick action to reduce the risk of damage by anyone forcing the lid shut.

**SITE PREPARATION**

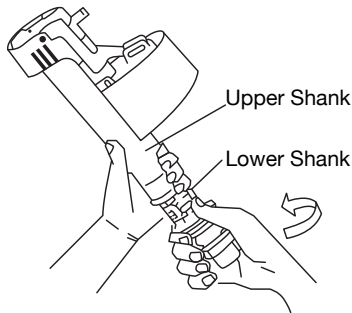
Remove weak base material that exists to establish good bonding.

**BEDDING FOR 'S' TRAP**



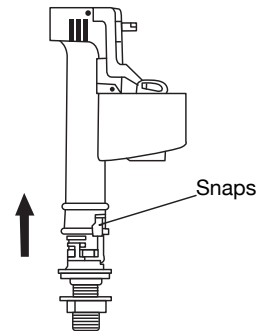
**Installations must be done by a NZ registered plumber & in compliance to all council regulations**

**FILL VALVE ADJUSTMENT INFORMATION**



**Water level Adjustment**

Check fill valve height to Cistern. To adjust, remove snaps, turn the upper shank clockwise to unlock teeth from lower shank. Adjust by pulling up or down on upper shank to set at desired height.

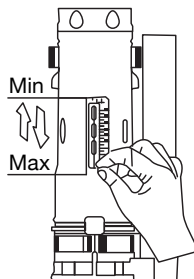


**Reassemble and Install**

After adjusting height of Fill valve, rotate the upper shank counter clockwise to lock into lower shank. Push up snaps to secure it.

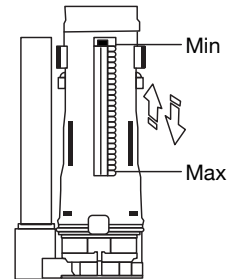
**FLUSH VALVE ADJUSTMENT INFORMATION**

B4910T



**Adjustment of Full Flush**

Loosen the snap-lock, Adjust as diagram. When finished lock back with snap-lock. Note the direction for Min to Max as diagram.



**Adjustment of Partial Flush**

Loosen the snap-lock, Adjust as diagram. When finished lock back with snap-lock. Note the direction for min to Max as diagram.



If the product is different to drawings take the product as correct. Be aware that adjustment of flush valves vary away from Watermark compliance.