

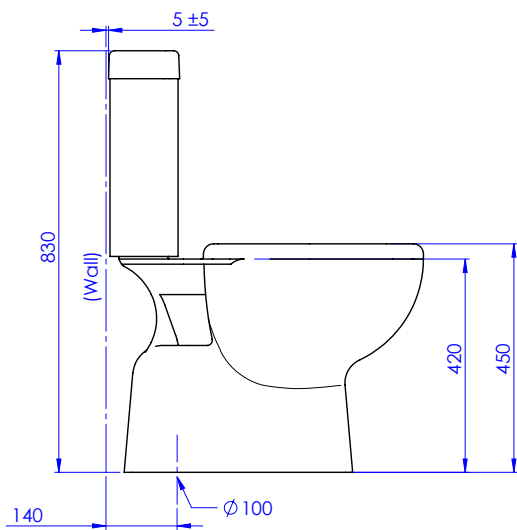
Atlas Toilet



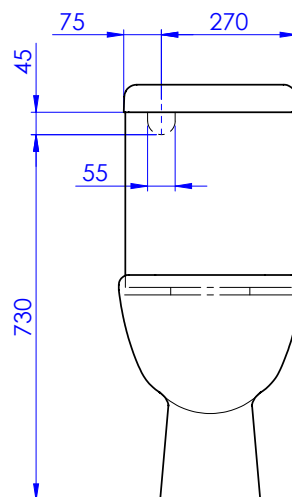
PRODUCT FEATURES

- Vitreous China Rimless Toilet
- Soft Close Seat
- Toilet tank 4.5/3L
- S-Trap Set Out 140mm
- WELS Rating - 4 Star - 3.5L avg. flush

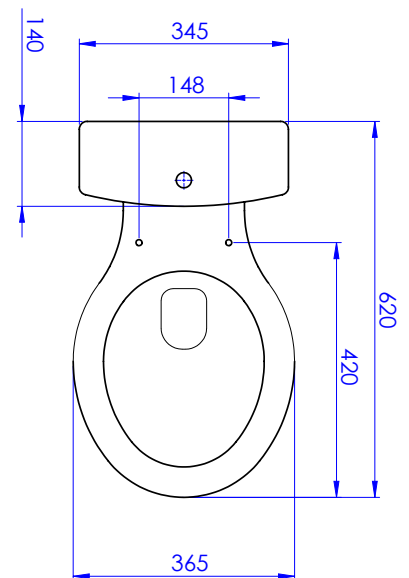
SPECIFICATIONS



SIDE VIEW



FRONT VIEW



TOP VIEW

Atlas Toilet

VANITIES

CLASS: ONE

DESCRIPTION: The Atlas toilet features a close-couple design and consists of a ceramic glazed cistern and pan. The seat is plastic with a soft-close action

CONTRIBUTIONS TO COMPLIANCE

BE3.3.5 and E3.3.6: Flush and inlet valves comply to Watermark AS11722. The Atlas toilet features a 4-star WELS rating, with a 4.5/3L dual-flush system. Refer to installation instructions for further information.

B2.3.1 (c) (i) and (ii): Atlas toilets have a warranted durability of 5 years when maintenance standards are adhered to for the cistern valve and pan. Seat warranty is 12 months, or 6 months for the soft close seat. These parts are readily available to replace.

G1.1 (a) and G1.3.2: Atlas toilets can be easily cleaned with soapy water and where needed, a standard toilet brush. Water connections should be correctly installed by a licensed plumber to ensure appropriate discharge to the plumbing/drainage system as per G1.3.2 Foul Water. Refer to installation instructions for further information

SCOPE OF USE

Newline vanities are intended for use in the following environments:

- Domestic and commercial bathrooms, including residential homes, government housing, hotels and apartments.
- Suitable for use with cold and warm water. Limitations to warranties apply where water supplies of geothermal influence, pH imbalance or heavy mineral loadings exist.
- Determine position of piping and plumbing prior to installation.

CONDITIONS OF USE

- Must be installed in accordance with Newline Atlas Toilet Installation Manual. Pipe connections must have been correctly installed by a registered plumber. Installation must comply with instructions to be under warranty.
- Cleaning products including bleaches, solvents, alcohol, citrus based chemicals, bath oils and/or abrasive cleaners should not be used. Full list is outlined in aftercare document

WARNINGS AND BANS

This product is not subject to warning or bans under section 26 of the Building Act 2004.

CONTACT DETAILS

Location: NZ for Local and Imported Products

Legal and Trading Name of Manufacturer: Newline Group Ltd

Importer Address for Service: 54 Unutoto Place, Tauranga, 3171

Importer Website: newline.nz

Importer Email: info@newline.co.nz

Importer Phone Number: 0508 NEWLINE

SUPPORTING DOCUMENTATION

The following additional documentation supports the above statements:

[Aftercare and Maintenance Doc](#)

[Warranty Information](#)

[Atlas Toilet Instruction Manual](#)