

**Important**

1. When you receive your product check the contents for any freight damage or defects.
2. If this is a custom order, the size will be on the outside of the box. Check that it is correct.
3. Advise Newline on 0508 639 5463 if any damage has occurred or if you have any questions about the size within 8 hours of receiving the goods so this can be rectified.
4. Do not install faulty products, as this will void your warranty.

## BEFORE YOU START

Newline provides full Specification Documents for two Categories of Showers.



- **Before you start** please read through the pre-install guide that applies to this project.

[Acrylic Pre-Install Specifications](#)

[Tile Pre-Install Specifications](#)

## HEALTH AND SAFETY



- **Unpack glass**, stand on soft packing on floor and walls prior to assembly.
- **Do not** rework glass panels.
- **Do not** strike an edge or corner of glass.
- **Use two persons** where heavy glass lifting is required.
- **Wear appropriate** protective clothing and eye protection during installation.
- **Mark gas/water pipe** and electrical wire locations to ensure these are not touched.

## ATTENTION



- **The tray base** must be installed level as this affects all shower alignments.
- **Wall Specifications** require a max variation of 3mm within shower height. Installer must check the viability of install if outside of these specs.
- **3-Sided Alcove Showers:** Wall must be accurate, straight, and plumb. Refer pre-install guide.
- **Double studs for solid fixing of wall channels:** Positioned at tray outside edge and inwards so all shower configurations have the support required.
- **The Installers Responsibility:** The installation must comply with all council regulations.

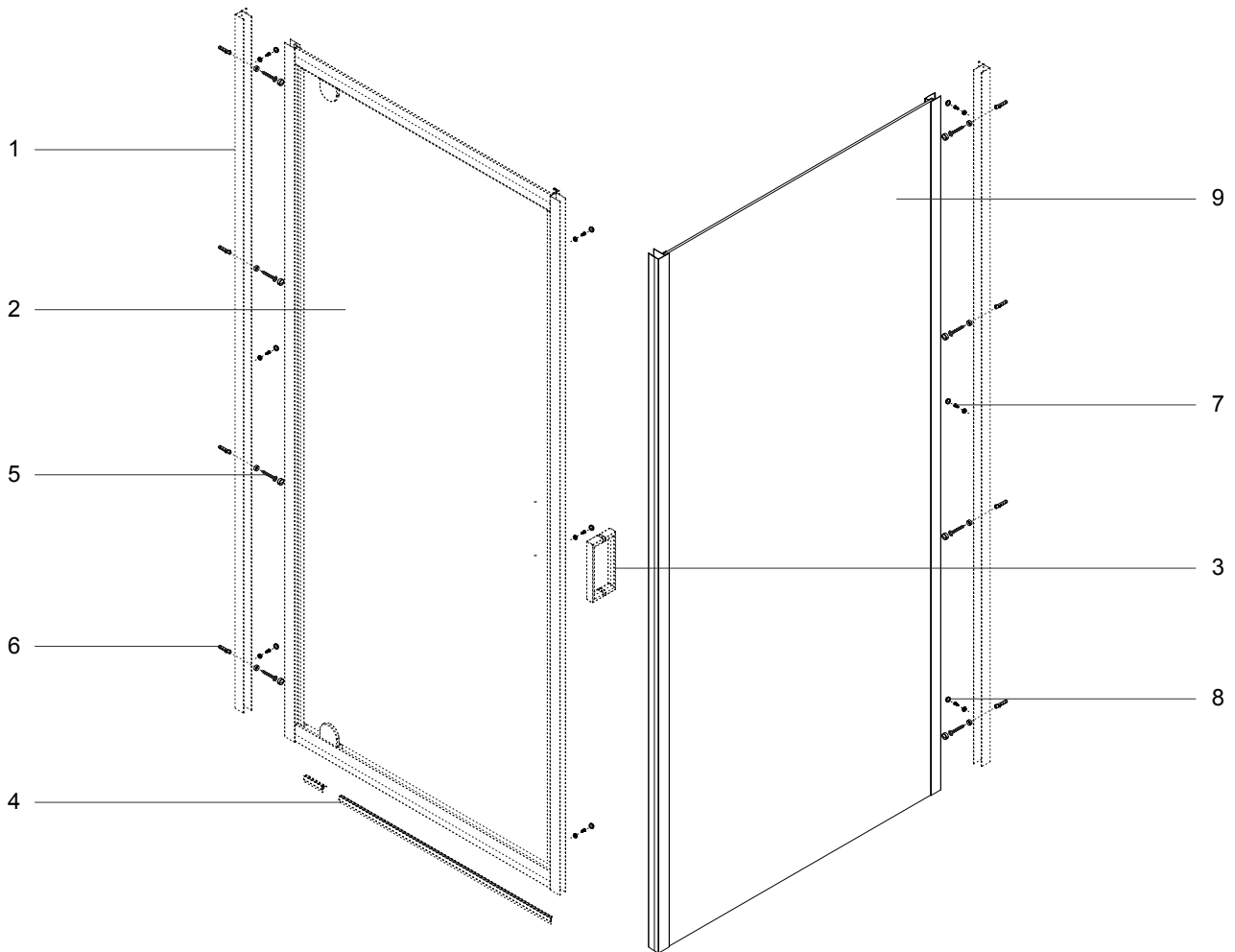
## Tools Required



## WARRANTY

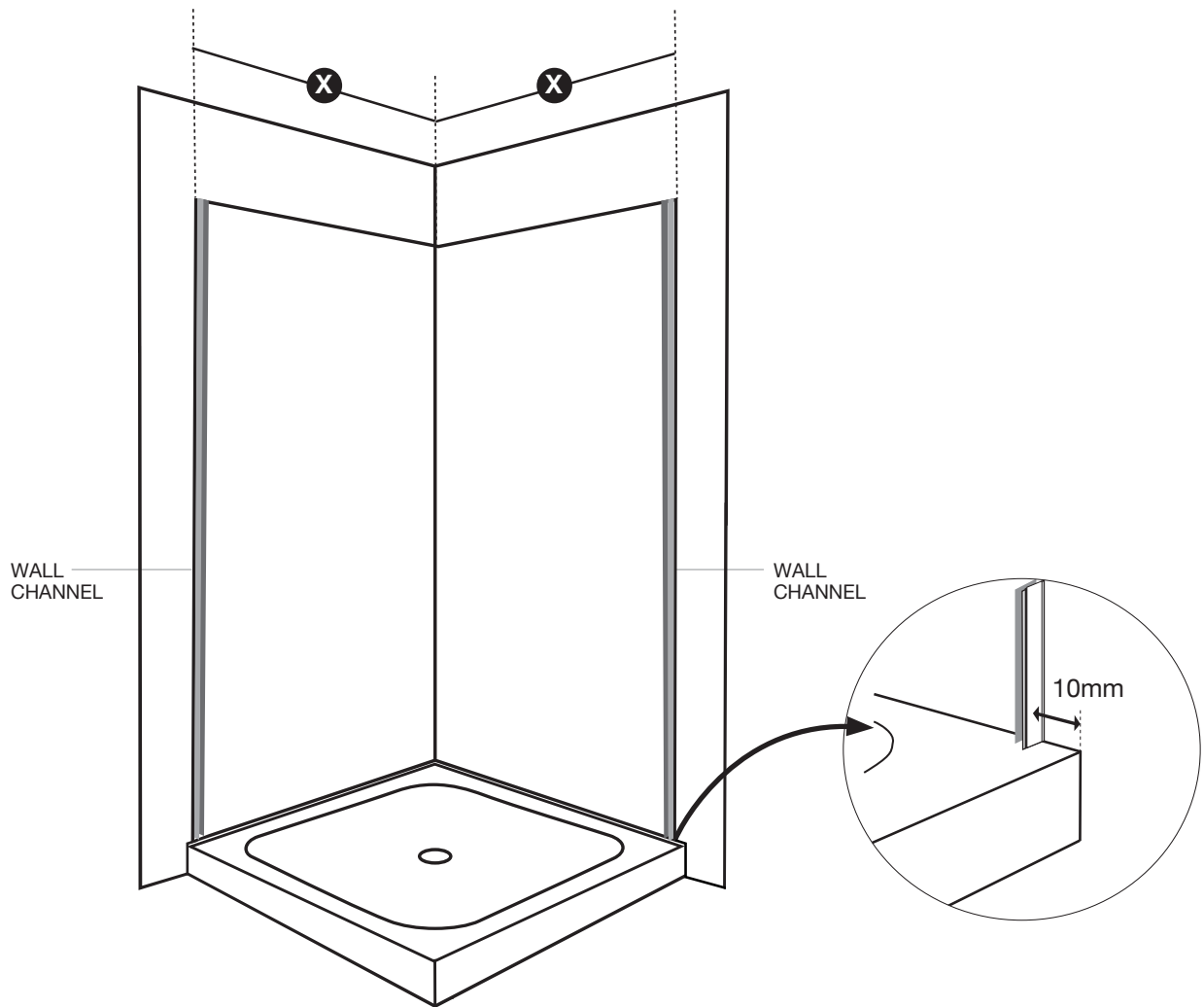
- This covers faulty goods but not breakages. Visit [newline.nz](http://newline.nz) for information.
- Compliance with Specs and these instructions are essential for a valid warranty.

**NEWLINE RECOMMENDS A SKILLED TRADESMAN ACQUAINTED WITH SHOWER INSTALLATIONS TO ENSURE THE VERY BEST OUTCOME.**



**PARTS LIST**

| No. | Description                  | Size (mm) | Qty | Unit |
|-----|------------------------------|-----------|-----|------|
| 1   | Wall Channels                |           | 2   | Pc   |
| 2   | Door Panel                   |           | 1   | Pc   |
| 3   | Handle                       |           | 1   | Pc   |
| 4   | Bottom Seal                  |           | 1   | Pc   |
| 5   | Wall Jamb Screws             | ST4x30mm  | 8   | Pc   |
| 6   | Wall Plug                    |           | 8   | Pc   |
| 7   | Frame to Wall Channel Screws | ST4x10mm  | 9   | Pc   |
| 8   | Screw Cap                    |           | 17  | Pc   |
| 9   | Return Panel                 |           | 1   | Pc   |



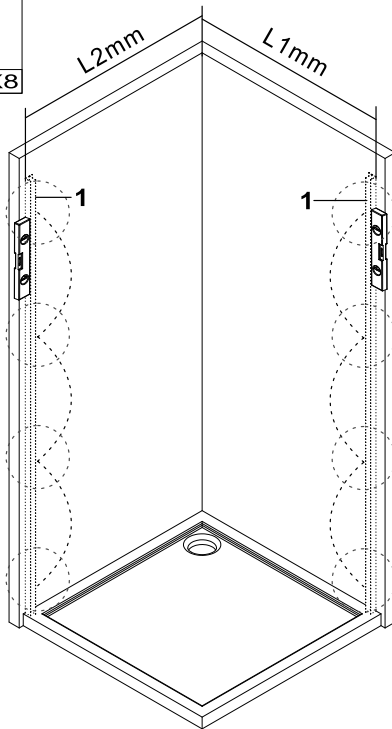
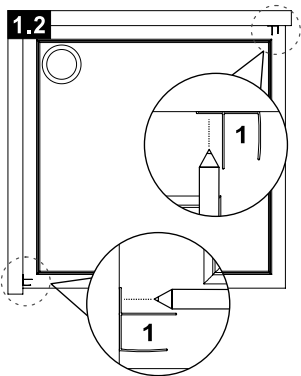
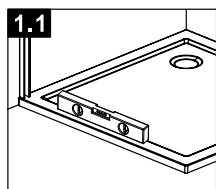
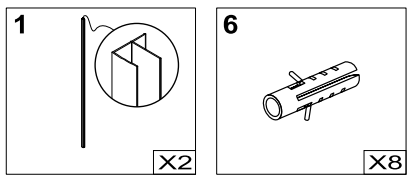
**IMPORTANT!** Before you start read through to get the concept.

**MINIMUM AND MAXIMUM TABLE**

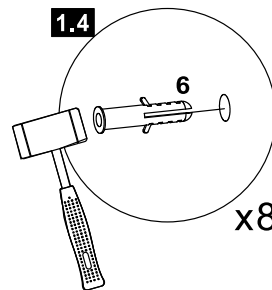
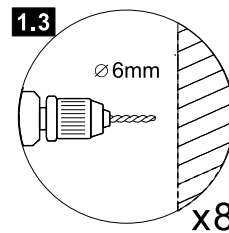
Wall out of plumb will not allow the full minimum / maximum range.

| SHOWER TYPE                  | FRONT PANEL (A) MIN/MAX | RETURN PANEL (B) MIN/MAX |
|------------------------------|-------------------------|--------------------------|
| 915 x 915 Square (2 Sided)   | 870mm to 895mm          | 885mm to 910mm           |
| 1000 x 1000 Square (2 Sided) | 970mm to 995mm          | 970mm to 995mm           |

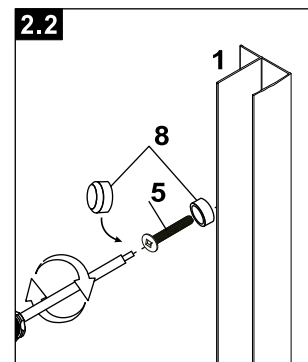
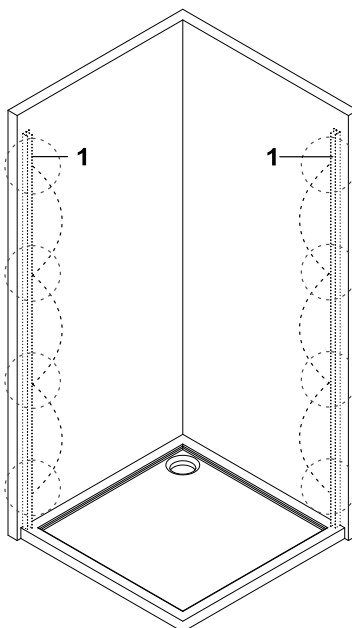
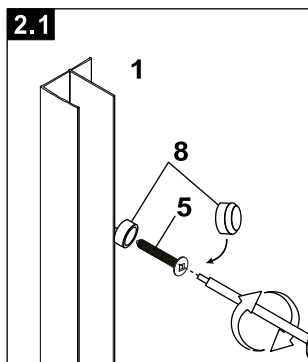
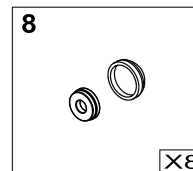
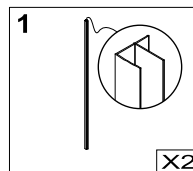
**1**



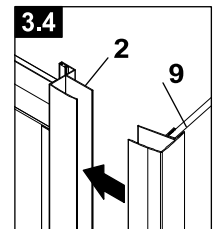
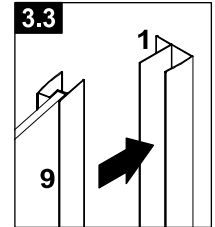
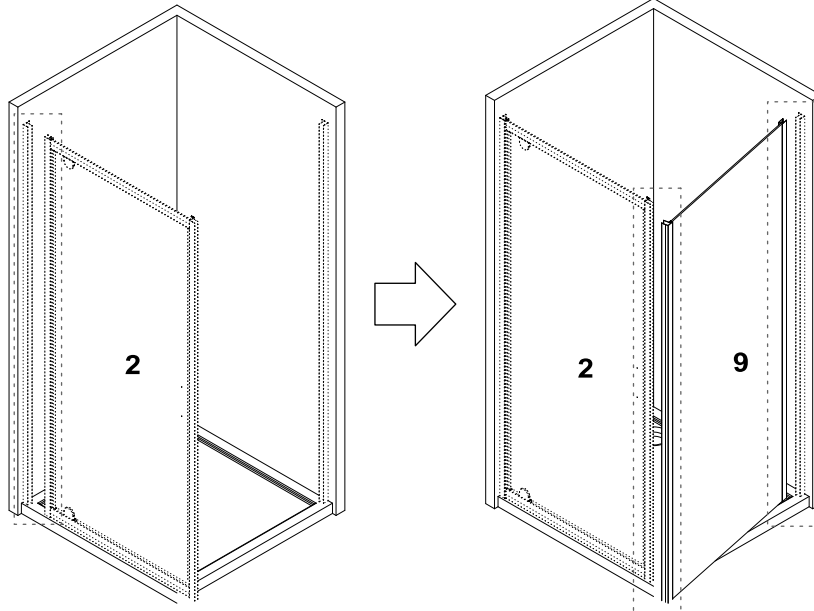
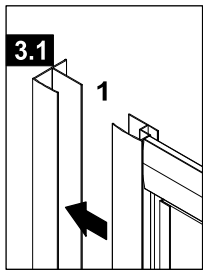
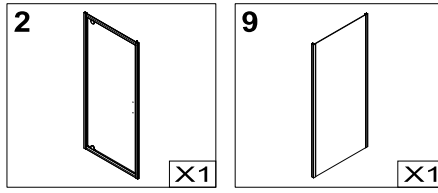
| Door      | Return    |
|-----------|-----------|
| 870-895mm | 895-910mm |
| 970-995mm | 970-995mm |



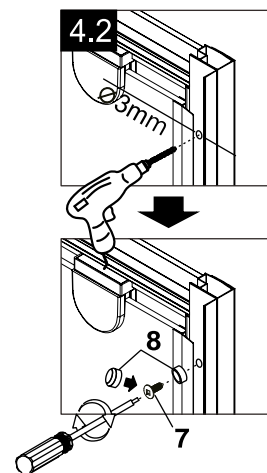
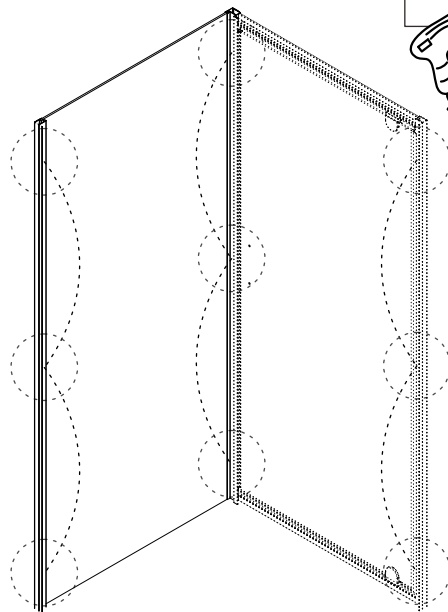
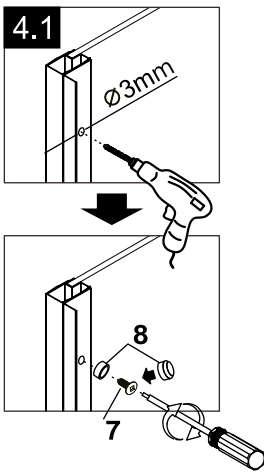
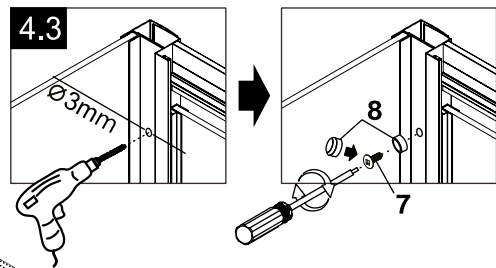
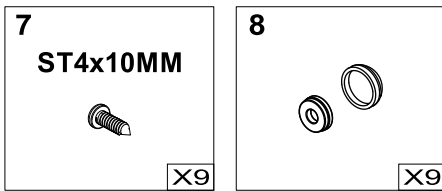
**2**



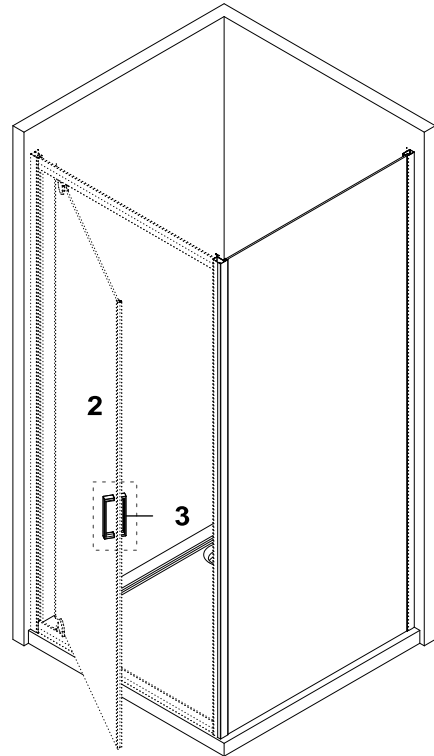
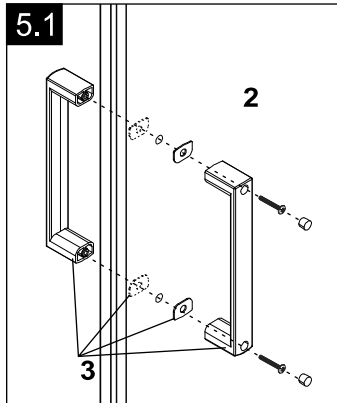
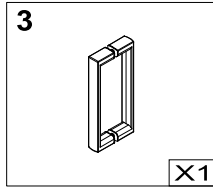
3



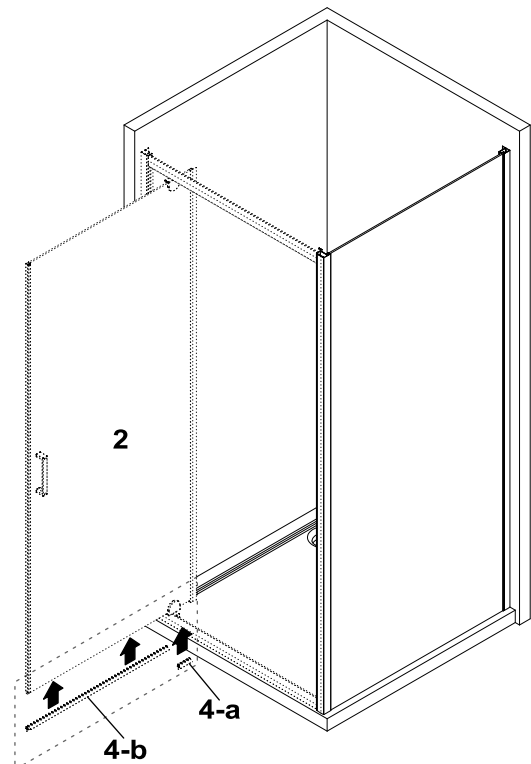
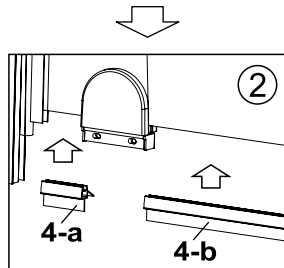
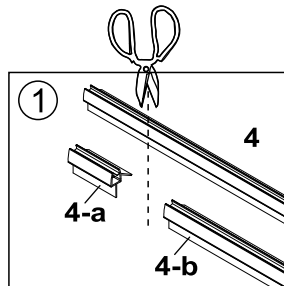
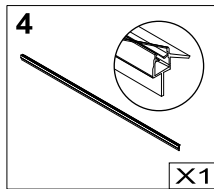
4



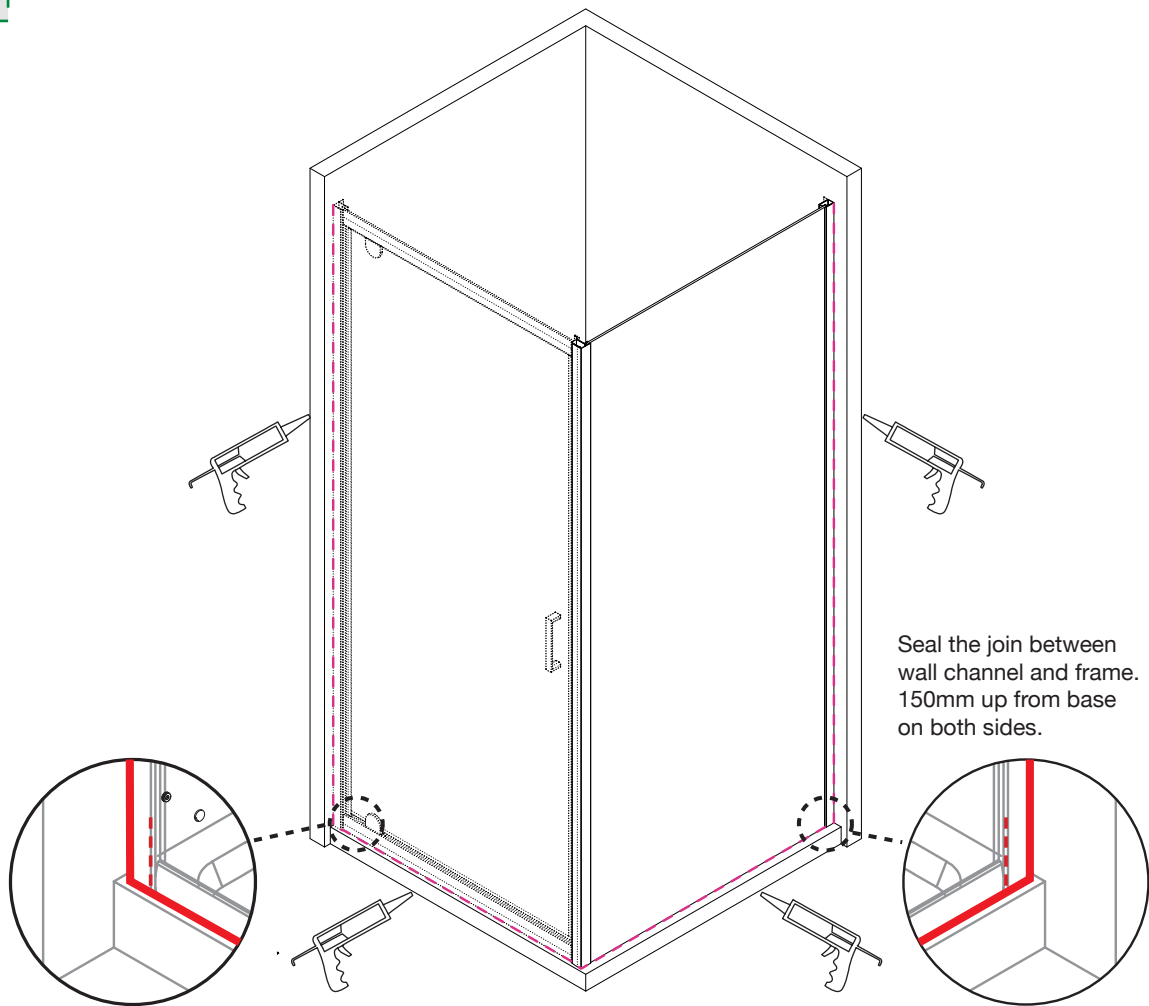
5



6



7



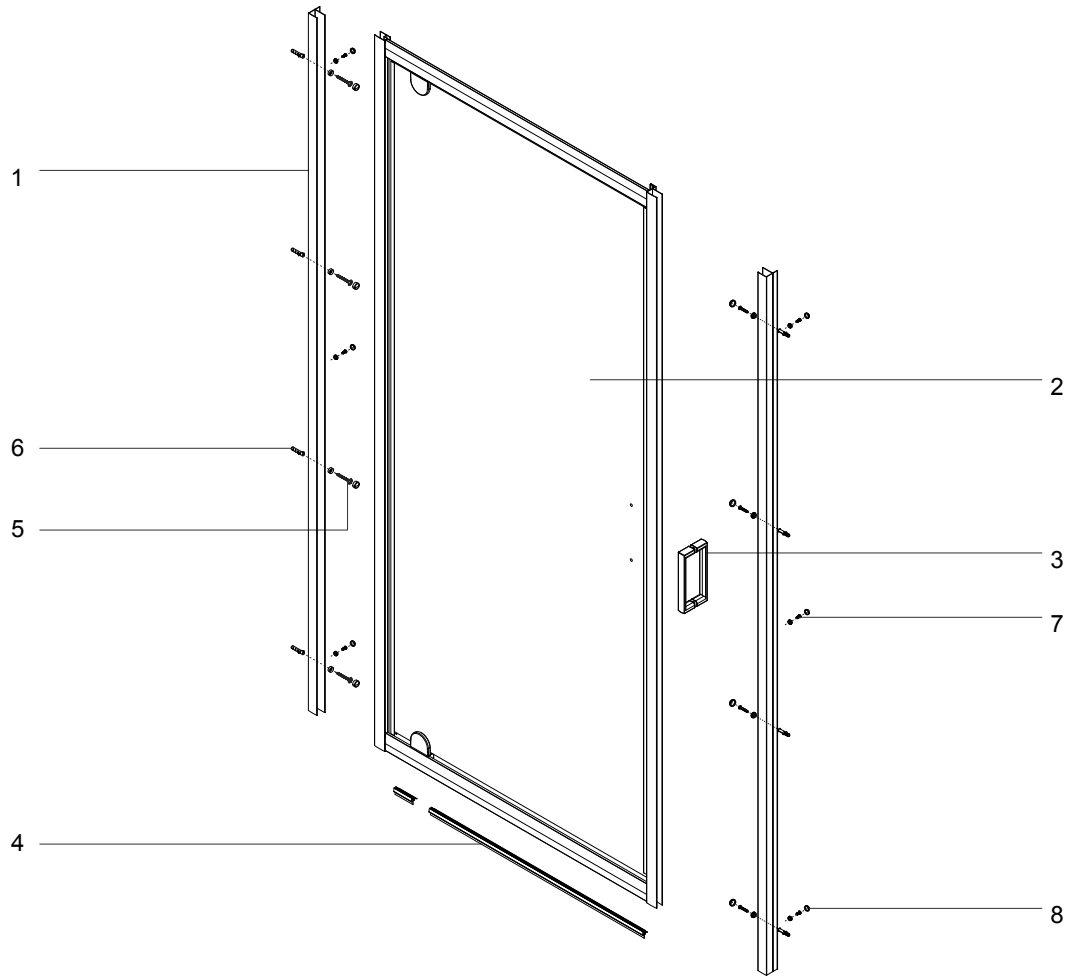
⚠️ ALLOW 24 HOURS FOR SILICONE TO FULLY DRY BEFORE USE.

⚠️ Silicone is not used on the inside of the shower screen because water can build up over time within the wall channel and leak out of the shower area. The screen is designed to allow the water to return into the shower area, if any is present.

**SCREENS THAT ARE SEALED ON THE INSIDE WILL VOID WARRANTY.**

Allow 24 hours for silicone to dry before use.

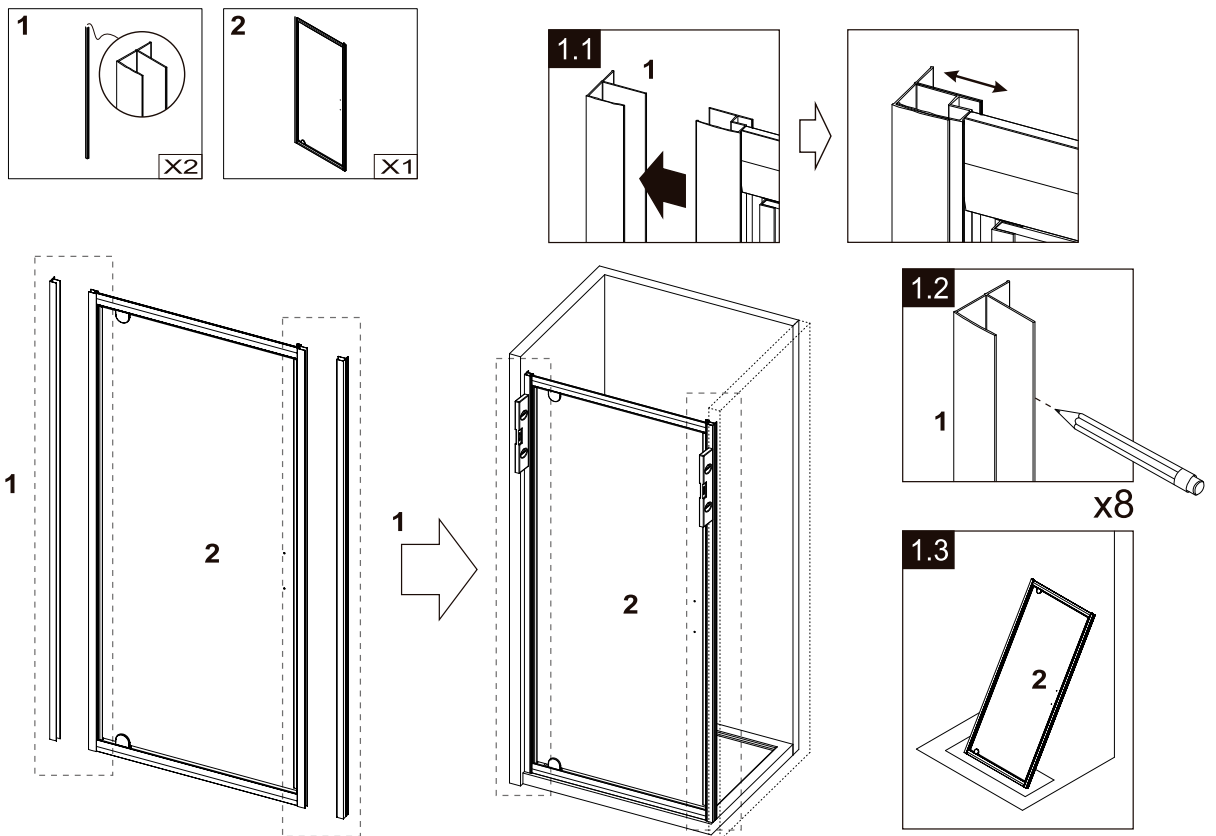




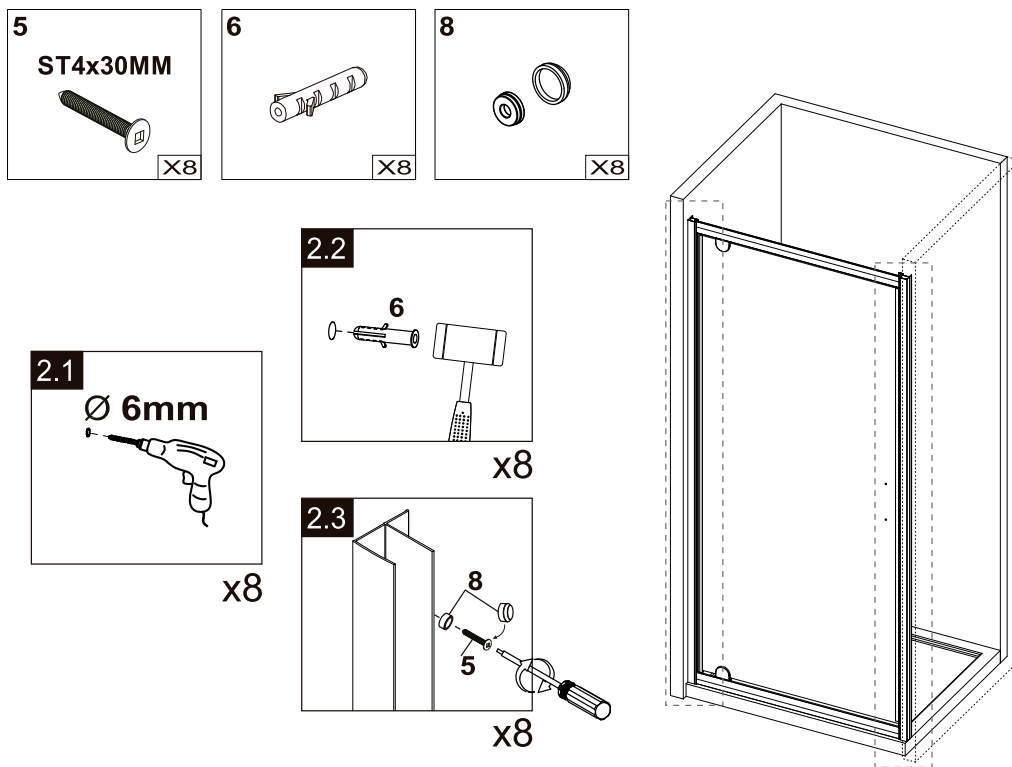
**PARTS LIST**

| No. | Description                  | Size (mm) | Qty | Unit |
|-----|------------------------------|-----------|-----|------|
| 1   | Wall Channels                |           | 2   | Pc   |
| 2   | Door Panel                   |           | 1   | Pc   |
| 3   | Handle                       |           | 1   | Pc   |
| 4   | Bottom Seal                  |           | 1   | Pc   |
| 5   | Wall Jamb Screws             | ST4x30mm  | 8   | Pc   |
| 6   | Wall Plug                    |           | 8   | Pc   |
| 7   | Frame to Wall Channel Screws | ST4x10mm  | 6   | Pc   |
| 8   | Screw Cap                    |           | 14  | Pc   |

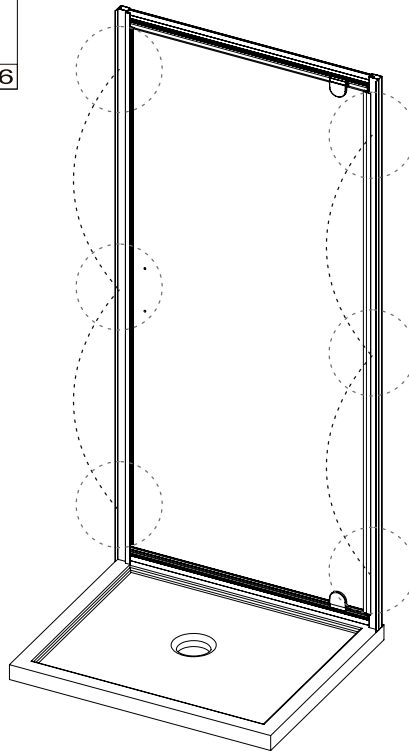
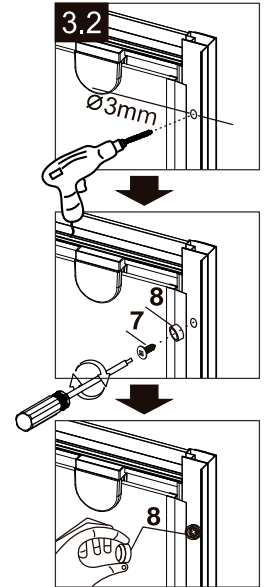
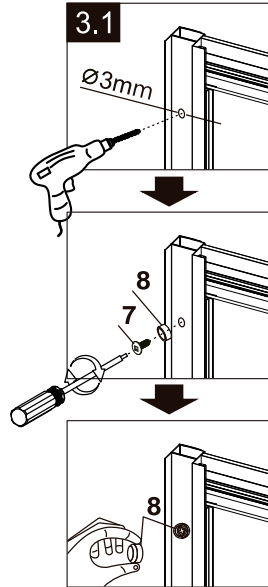
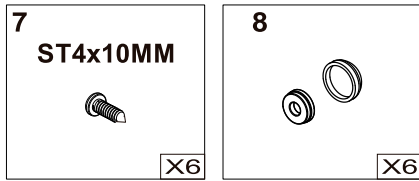
1



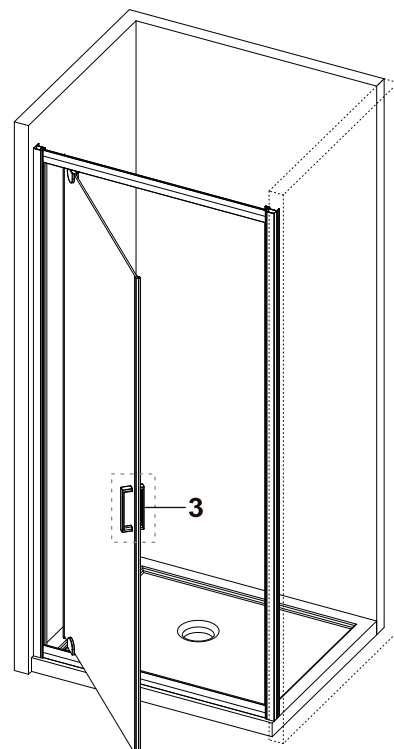
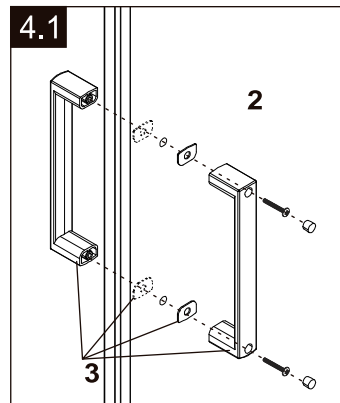
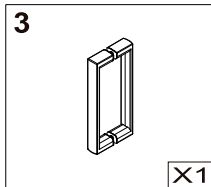
2



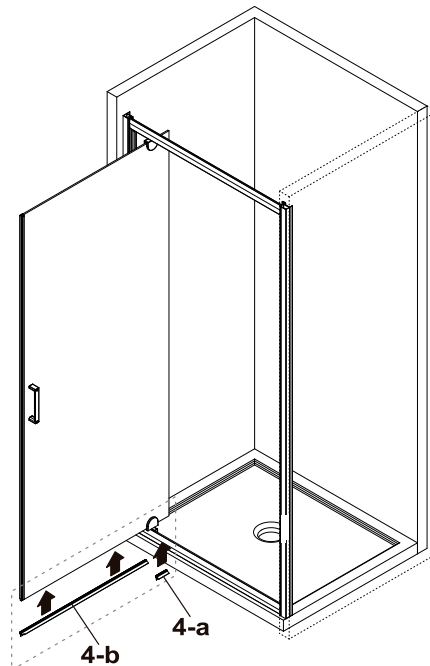
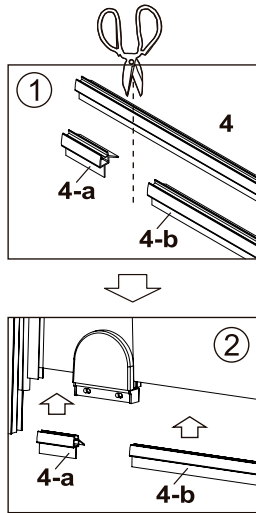
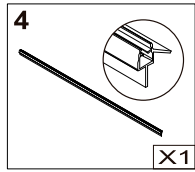
3



4



5



6

