

CODE: G9632



Important

1. When you receive your product check the contents for any freight damage or defects.
2. If this is a custom order, the size will be on the outside of the box. Check that it is correct.
3. Advise Newline on 0508 639 5463 if any damage has occurred or if you have any questions about the size within 8 hours of receiving the goods so this can be rectified.
4. Do not install faulty products, as this will void your warranty.

Newline provides full Specification Documents for two Categories of Showers.



- **Before you start** please read through the pre-install guide that applies to this project.

[Acrylic Pre-Install Specifications](#)

[Tile Pre-Install Specifications](#)

HEALTH AND SAFETY



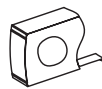
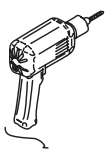
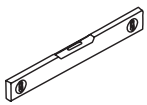
- **Unpack glass**, stand on soft packing on floor and walls prior to assembly.
- **Do not** rework glass panels.
- **Do not** strike an edge or corner of glass.
- **Use two persons** where heavy glass lifting is required.
- **Wear appropriate** protective clothing and eye protection during installation.
- **Mark gas/water pipe** and electrical wire locations to ensure these are not touched.

ATTENTION



- **The tray base** must be installed level as this affects all shower alignments.
- **Wall Specifications** require a max variation of 3mm within shower height. Installer must check the viability of install if outside of these specs.
- **3-Sided Alcove Showers:** Wall must be accurate, straight, and plumb. Refer pre-install guide.
- **Double studs for solid fixing of wall channels:** Positioned at tray outside edge and inwards so all shower configurations have the support required.
- **The Installers Responsibility:** The installation must comply with all council regulations.

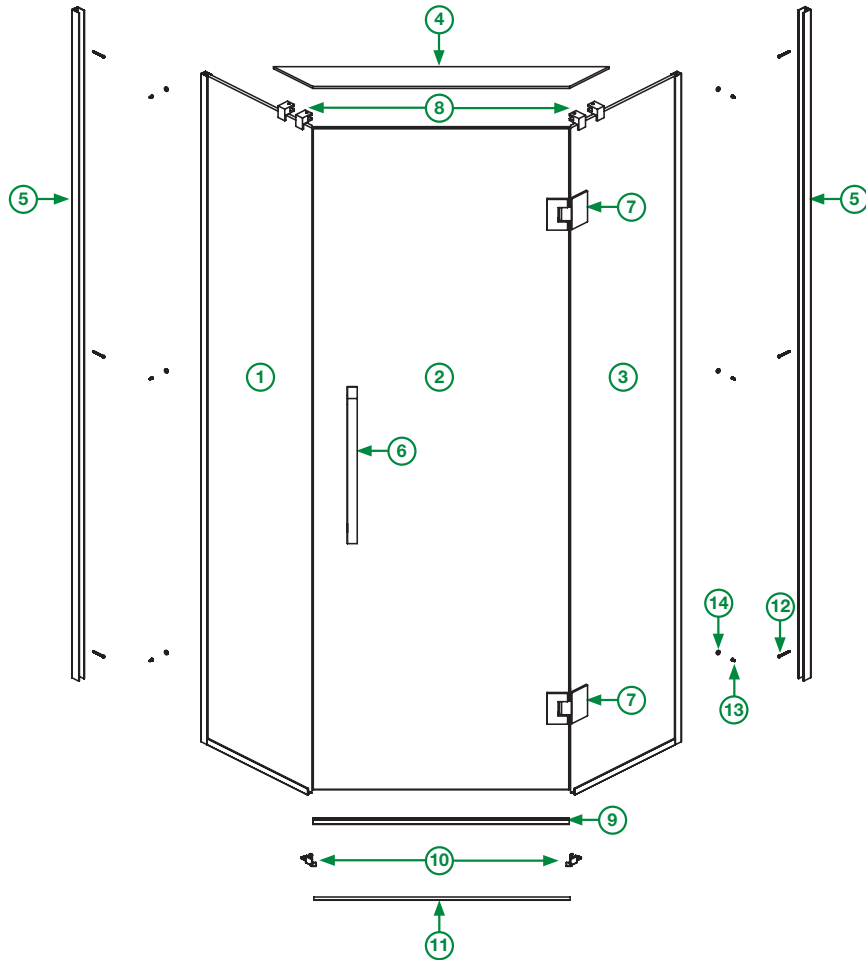
Tools Required



WARRANTY

- This covers faulty goods but not breakages. Visit newline.nz for information.
- Compliance with Specs and these instructions are essential for a valid warranty.

NEWLINE RECOMMENDS A SKILLED TRADESMAN ACQUAINTED WITH SHOWER INSTALLATIONS TO ENSURE THE VERY BEST OUTCOME.



COMPONENTS LIST

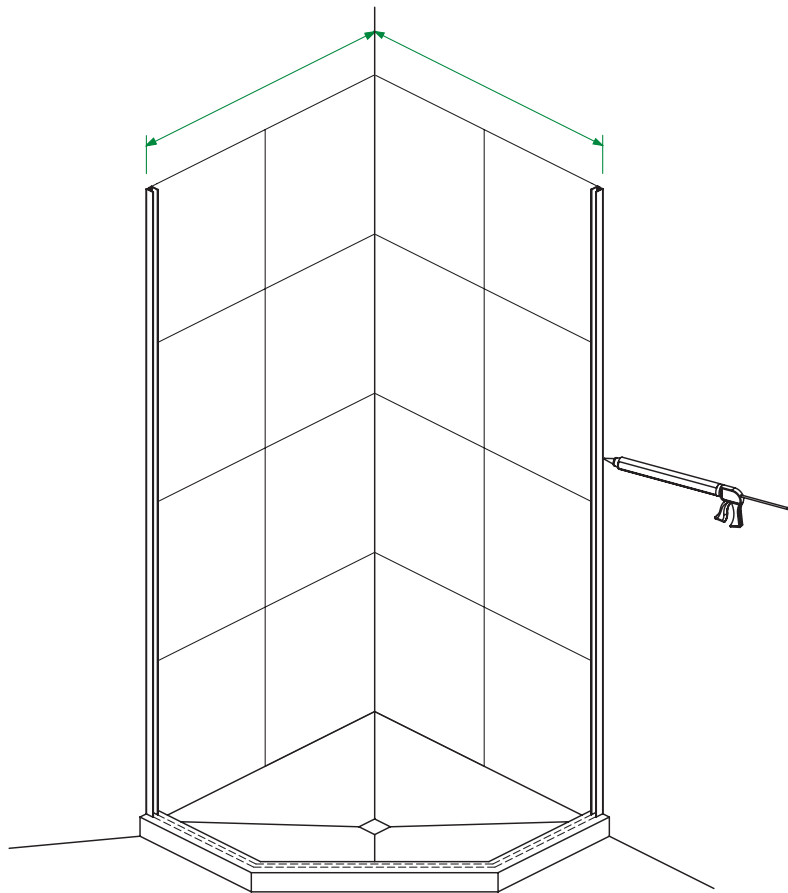
REFERENCE	DESCRIPTION	CHROME	BLACK	QUANTITY
1	10mm Fixed Glass Panel			1
2	10mm Door Glass	B2343	B2343	1
3	10mm Glass Hinge Panel			1
4	Glass Lintel	C9720.CR	C9720.BK	1
5	Wall Profiles	A6751.CR	A6751.CR	2
6	Linear Handle	H5542.CR	H5542.CR	1
7	Set 135 Degree Hinges	H5535.CR	H5535.CR	2
8	Glass Lintel Clips	H5412.CR	H5412.CR	4
9	Bottom Door Seal	12988	12988	1
10	Waterbar Clips LH & RH	H6355.CR	H6355.CR	2
11	Threshold Waterbar	A9076.CR	A9076.CR	1
12	6 x 40 Pan Square Screws	Fastening Screw Pack F4163.CR	Fastening Screw Pack F4163.BK	8
13	Pan Square Screws			8
14	Screw Cap Covers			16

1

- Identify your installation measurement from the Frame Dimensions Table “A”. Mark the position of the outside of the wall profiles on the sill.
- If this is a custom order the size will be printed on the outside of the packaging.
- Bond the wall profiles to the tiled wall (note below).
- Mark the floor channels (dotted line) 2mm inside wall profile.

PENETRATION OF WATERPROOFING UNDER TILES

Waterproofing warranties are potentially void with penetrations of membrane. Bond wall profiles with Bostik V60. Minimum curing 24 hours (2mm to 3mm). Curing is by atmospheric moisture absorption (approx. 7mm in 7 days).



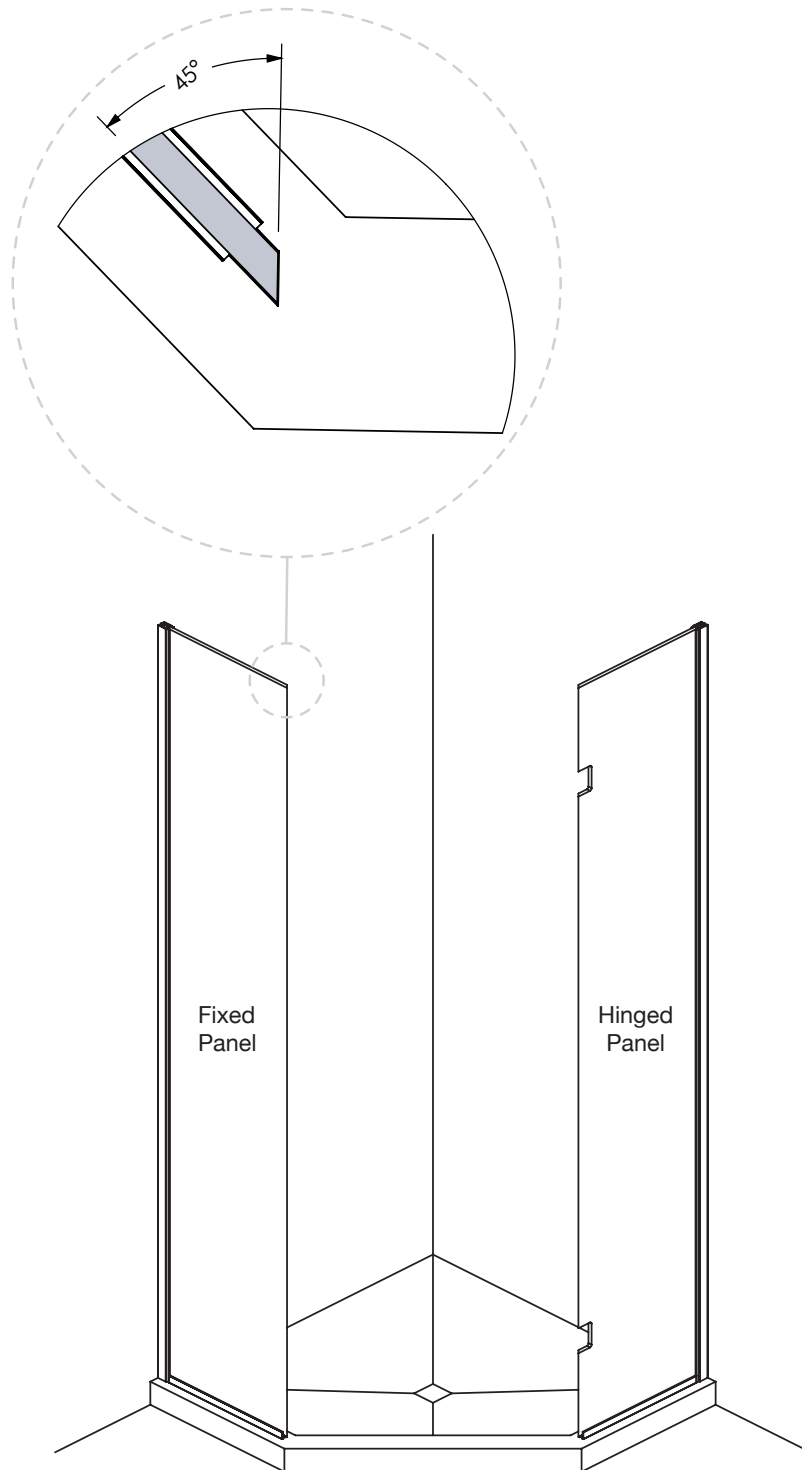
Dimension Table “A”

ProFinish Tray Size	Minimum to Maximum
900 x 900	864 to 876mm
1000 x 1000	964 to 976mm
1100 x 1100	1064 to 1076mm

2

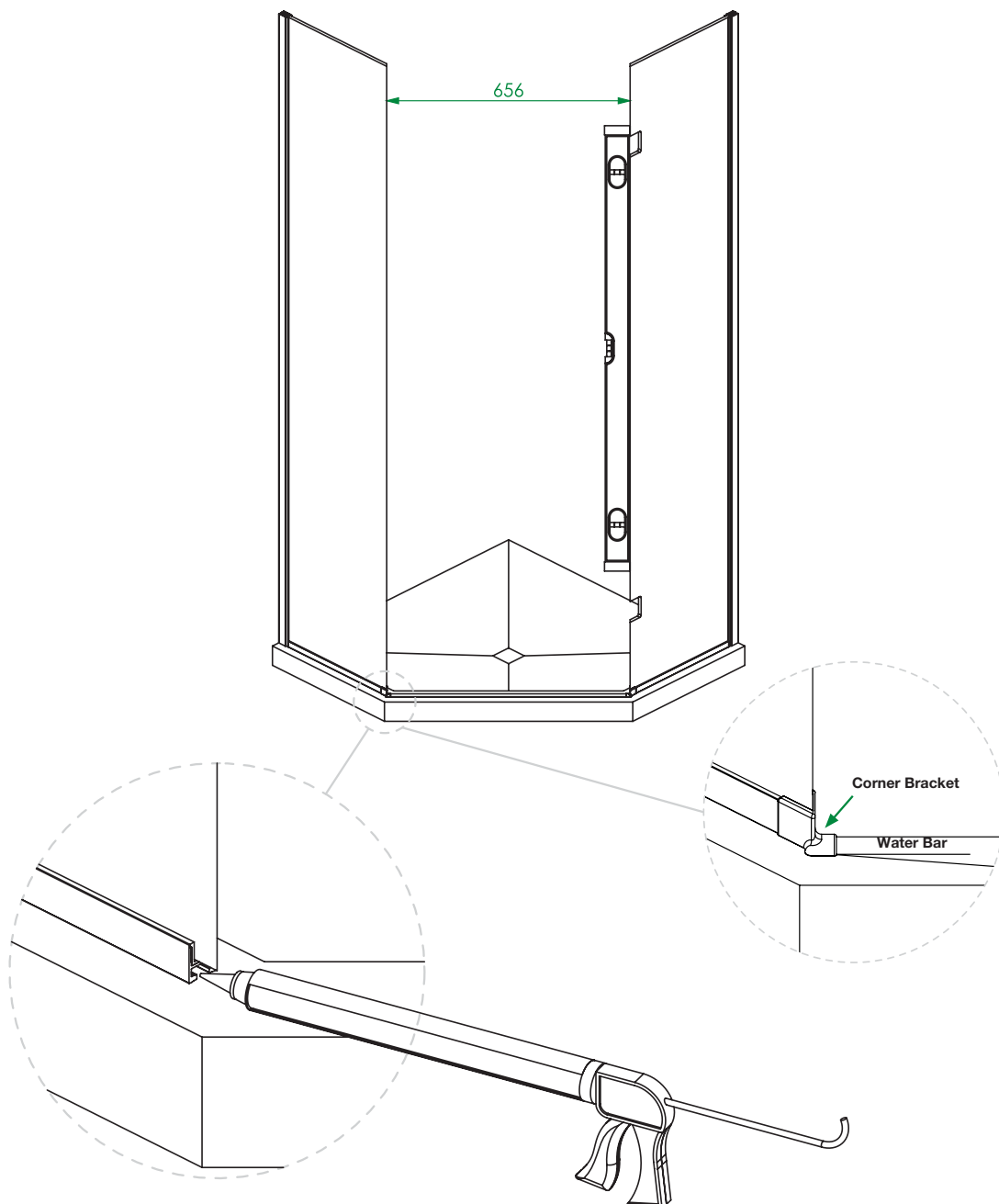
Fit Fixed and Hinge Glass Panels

- Ensure the hinge panel with the cut outs is placed on the side as ordered.
- Fit the glass panels progressively into the wall profiles until outer glass edge is at door line (Prevents horizontal scratching of inner profiles).



3

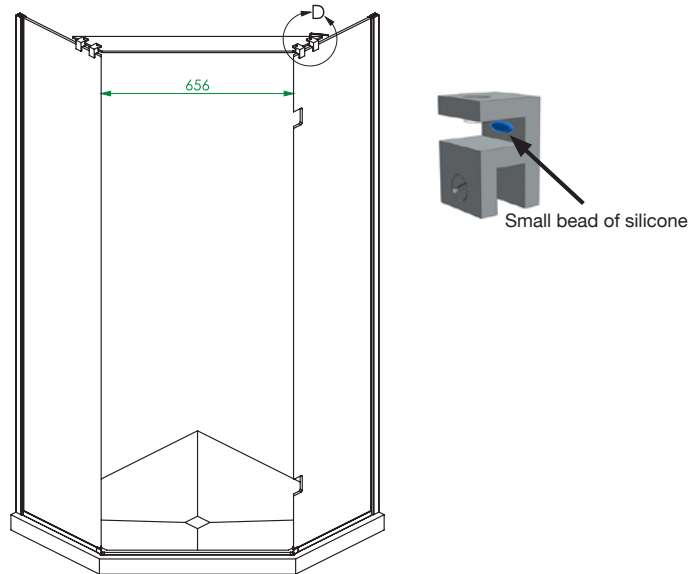
- Apply silicone into end of side panel floor profiles to hold base at this point when cured.
- Take the Waterbar, LH & RH brackets and fit assembly in place. Note: the Waterbar requires a bead of silicone underneath and the brackets sealed to the lower profiles both sides and floor.
- Equalise the glass panels to boundary line and make sure the door gap remains at 656mm top and bottom.
- Use the self-adhesive packers to hold fixed glass in place and tape the waterbar to the tray.



4

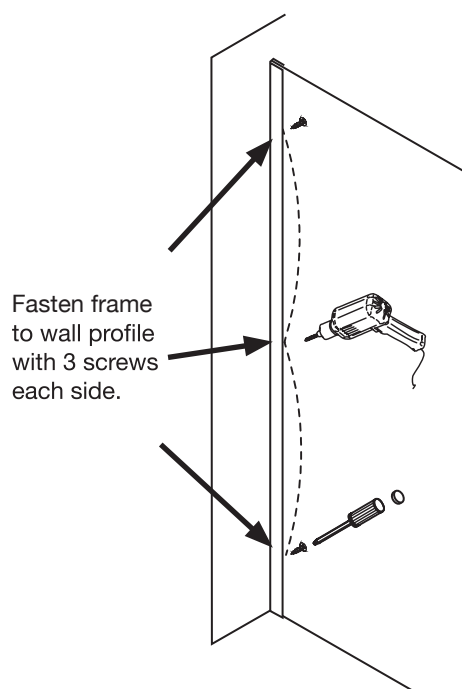
Fitting of Glass Lintel: IMPORTANT! Clips must be held tight to glass prior to fastening.

- Fit lintel clips first to vertical glass panels.
- Apply a small bead of V60 Silicone as drawing (This is a secondary safety measure to hold the lintel glass).
- Fasten the lintel glass ensuring door gap is plumb.
- Equalise the glass panels to tile tray.
- Align door gap to 656mm for 3mm door clearance. If using 2.5mm clearance reduce to 655mm.



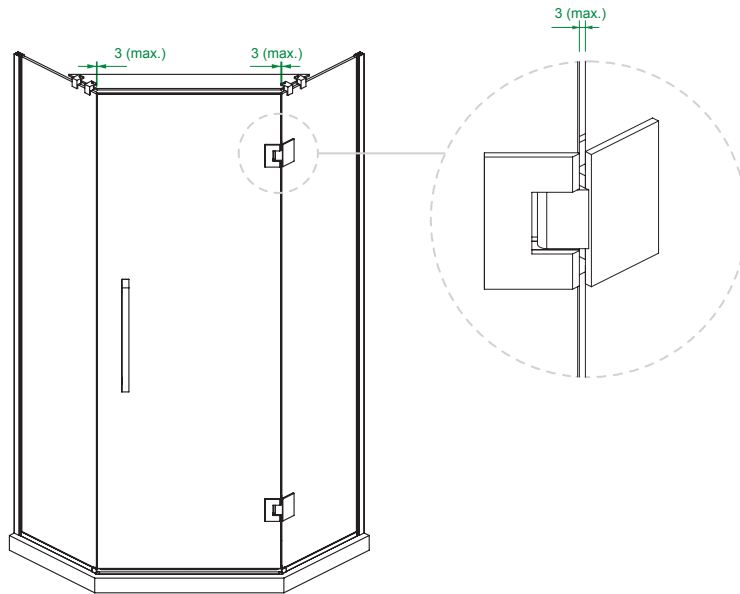
5

- Recheck the glass is still aligned correctly to the tile tray.
- Fasten with 12mm screws and cover caps as supplied.



6

- Attach the hinges to hinged panel and fix the handle, and then install the door glass. Close the door carefully and adjust for even clearance in the door opening.



7

- Silicone seal the outside boundary as indicated lines.
- Tape the door closed with packers installed to stop the door sagging.
- Leave for 24 hours until silicone has cured.

