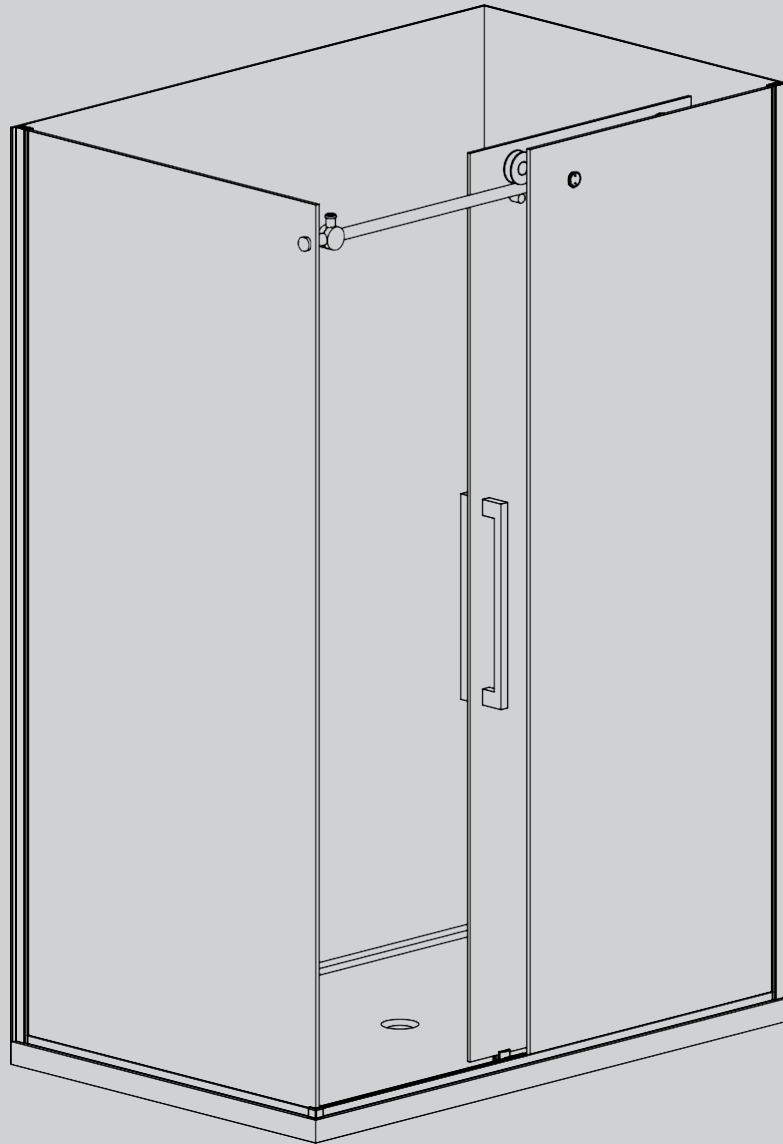


INDEX PAGES	
2-SIDED	3 TO 9
3-SIDED	10 TO 13



2- SIDED & 3-SIDED ALCOVE

CODES: **G9663**



Important

1. When you receive your product check the contents for any freight damage or defects.
2. If this is a custom order, the size will be on the outside of the box. Check that it is correct.
3. Advise Newline on 0508 639 5463 if any damage has occurred or if you have any questions about the size within 8 hours of receiving the goods so this can be rectified.
4. Do not install faulty products, as this will void your warranty.

HEALTH AND SAFETY



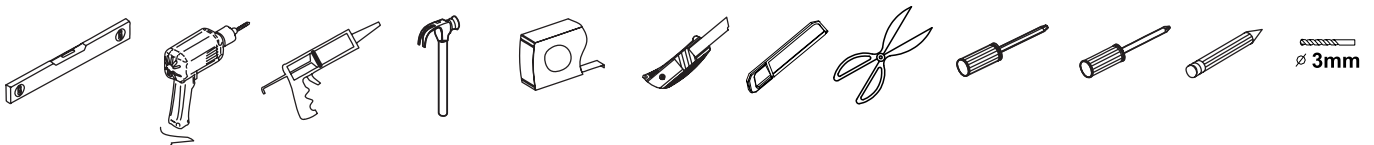
- **Unpack glass**, stand on soft packing on floor and walls prior to assembly.
- **Do not** rework glass panels.
- **Do not** strike an edge or corner of glass.
- **Use two persons** where heavy glass lifting is required.
- **Wear appropriate** protective clothing and eye protection during installation.
- **Mark gas/water pipe** and electrical wire locations to ensure these are not touched.

ATTENTION



- **Wall Specifications** require a max variation of 3mm within shower height. Installer must check the viability of install if outside of these specs.
- **3-Sided Alcove Showers:** Wall must be accurate, straight, and plumb.
- **The Installers Responsibility:** The installation must comply with all council regulations.

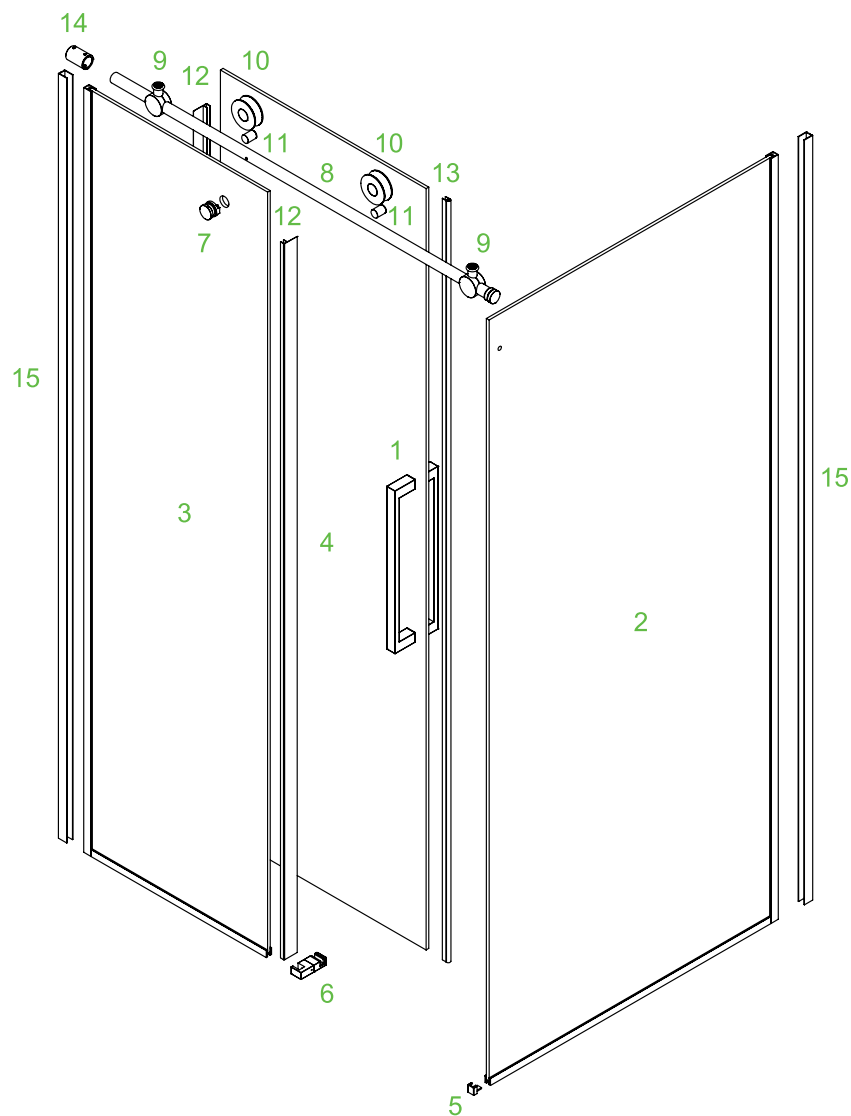
Tools Required



WARRANTY

- This covers faulty goods but not breakages. Visit newline.nz for information.
- Compliance with Specs and these instructions are essential for a valid warranty.

NEWLINE RECOMMENDS A SKILLED TRADESMAN ACQUAINTED WITH SHOWER INSTALLATIONS TO ENSURE THE VERY BEST OUTCOME.



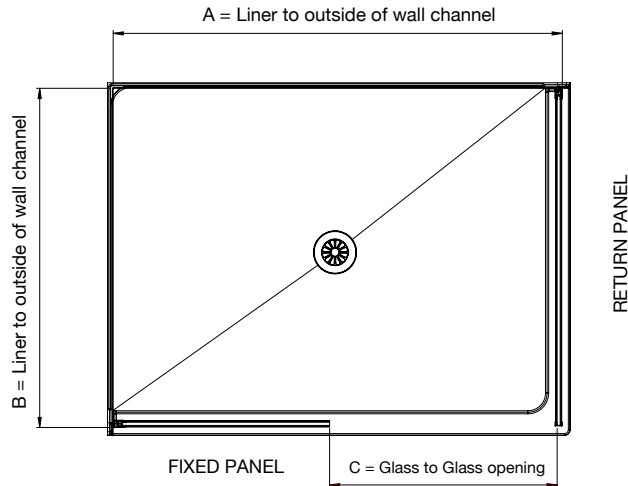
COMPONENTS LIST

REFERENCE	PART	PART NUMBER		QUANTITY
		CHROME	BLACK	
1	Door Handle	H5542.CR	H5542.BK	1
2	Return Panel			1
3	Fixed Front Panel			1
4	Door Panel			1
5	Bottom Rail End Clip	H6317.CR	H6317.BK	2
6	Lower Door Guide	H1363.CR	H1363.BK	1
7	Fixed Glass Rail Clip	H7239.CR	H7239.BK	2
8	Top Door Rail			1
9	Door Stops	H5634.CR	H5634.BK	2
10	Door Rollers	H5658.CR	H5658.BK	2
11	Door Lock Pins	H5610.CR	H5610.BK	2
12	Deflector Seals	I6112	I6112	2
13	Buffer Seal	I6105	I6105	1
14	Wall Bracket	H7253.CR	H7253.BK	1
15	Wall Channels	A6751.CR	A6751.BK	2
	Screw Pack	F4163.CR	F4163.BK	1

Wall Channel Positions for 2 sided showers

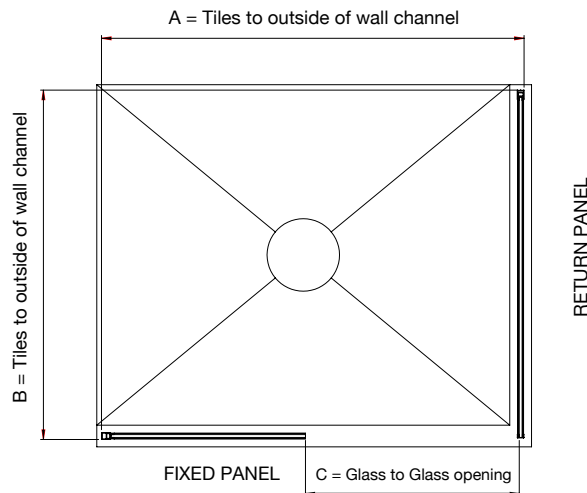
1. Mark the position of the wall channels as per the below diagram

2 Sided Acrylic shower set out



Shower Size	A	B	C
1200 x 800	1167 (+2/-8)	767 (+/- 5mm)	590
1200 x 915	1167 (+2/-8)	882 (+/- 5mm)	590
1200 x 1000	1167 (+2/-8)	967 (+/- 5mm)	590
1400 x 915	1367 (+2/-8)	882 (+/- 5mm)	590
1500 x 915	1467 (+2/-8)	882 (+/- 5mm)	690

2 Sided Tiled shower set out

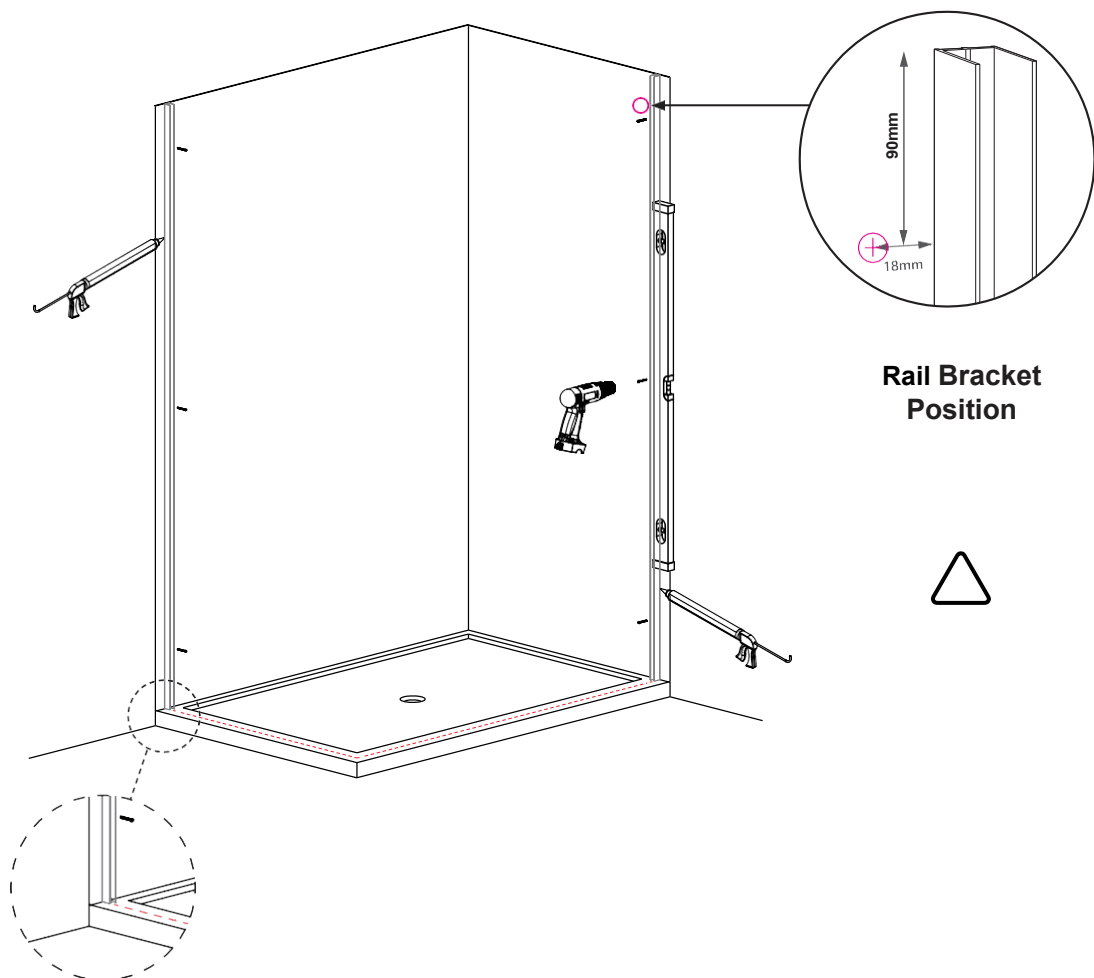


Shower size	A	B	C
1200 x 900	1167 (+2/-8)	882 (+/- 5mm)	590mm
1200 x 1000*	1167 (+2/-8)	967 (+/- 5mm)	590mm
1300 x 1000*	1267 (+2/-8)	967 (+/- 5mm)	590mm
1400 x 1000*	1367 (+2/-8)	967 (+/- 5mm)	590mm
1500 x 1000*	1467 (+2/-8)	967 (+/- 5mm)	690mm
1600 x 1000*	1567 (+2/-8)	967 (+/- 5mm)	690mm
1700 x 1000*	1667 (+2/-5)	967 (+/- 5mm)	790mm
1800 x 1000*	1767 (+2/-5)	967 (+/- 5mm)	790mm

* If your tray is 900 deep, measurement B = 867 (+/- 5mm)

Acrylic Installation

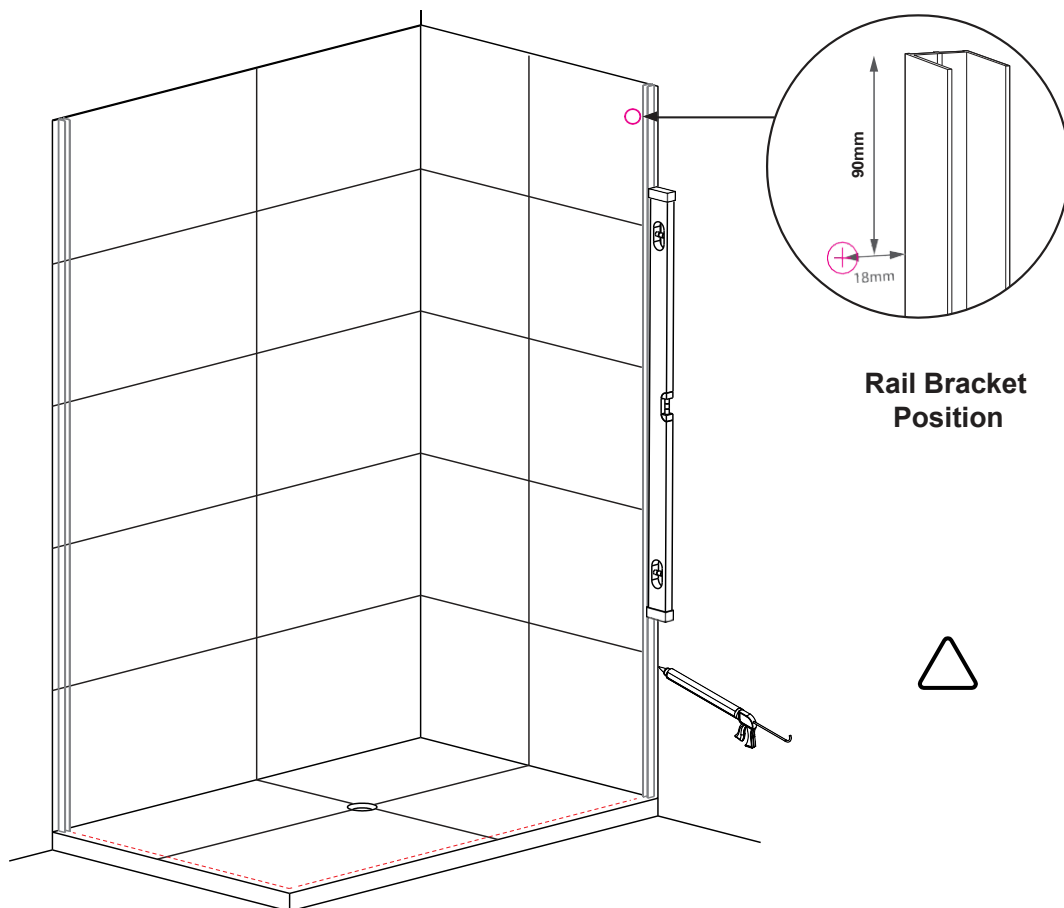
1. Pre-Drill 3 x 3mm holes in the back of the wall channel.
2. With the wall channel in position, drill a 2mm hole in the liner and framing behind.
3. Silicone back of the wall channel, then secure in place with 3 screws
4. Secure the Door Rail Wall Bracket in place. Pre-Drill a 3mm hole through the liner and into the timber and fix Rail Bracket base plate with the screw provided



Wall channel should be approximately 19mm from the outside of the tray

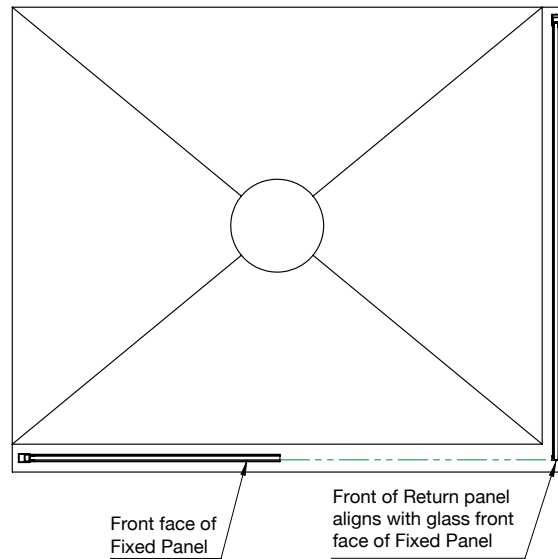
Tile Installation

1. Silicone back of the wall channel, then secure in place with masking tape
2. Leave wall channels 24 hours for silicone to cure
3. Secure the Door Rail Wall Bracket in place. Pre-Drill a 5mm hole through the tile, and fix Rail Bracket base plate with screw provided



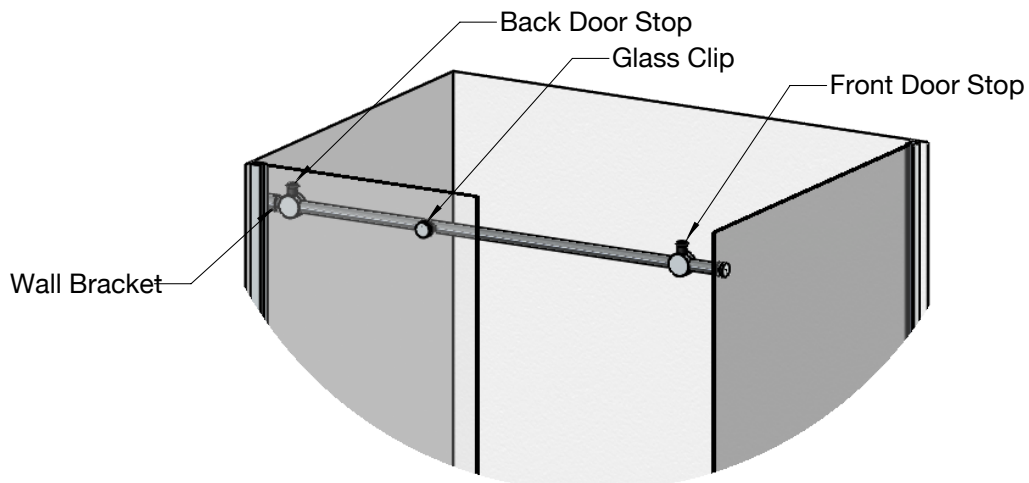
Fitting Fixed Panel and Return Panel

1. Fit the glass panels into the wall channels, and ensure panels are parallel with tray.
2. Align panels so the front edge of the Return panel is in line with the front of the fixed panel
3. Check the dimension between the Fixed Panel and the return panel. Adjust the depth in the wall channel to correctly position.



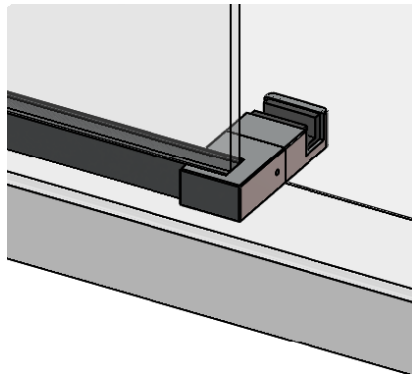
Fit the Door Rail

1. Assemble the Door Rail complete with Door Stops each end and the Wall Bracket.
2. Attach Glass Clip/s to the Fixed Panel
3. Secure the Door Rail in place, fixing it to the Return Panel, the Glass Clip and Wall Bracket



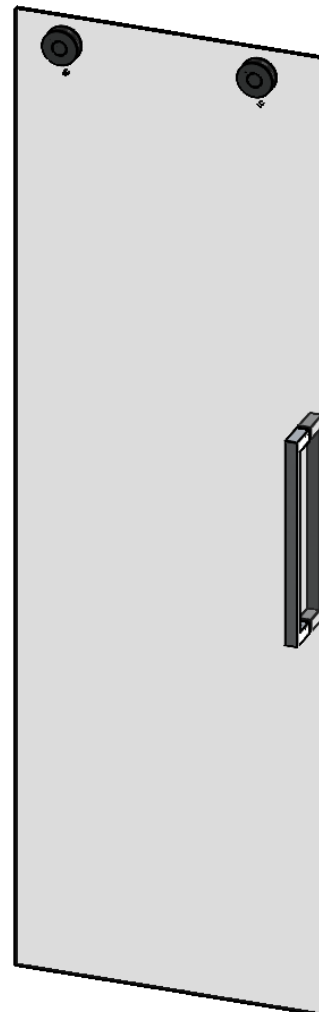
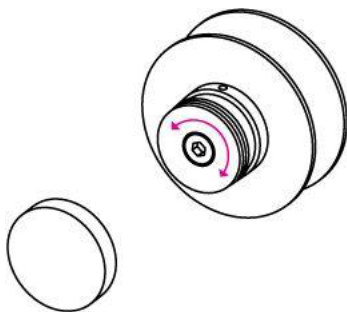
Fit the Door Guide

1. The Door Guide can be configured to suit both Left Hand and Right Hand installations.
2. Place a small amount of silicone on the base where the Door Guide will be located.
3. Place the door guide in place and secure to the bottom rail of the Fixed Front Panel.



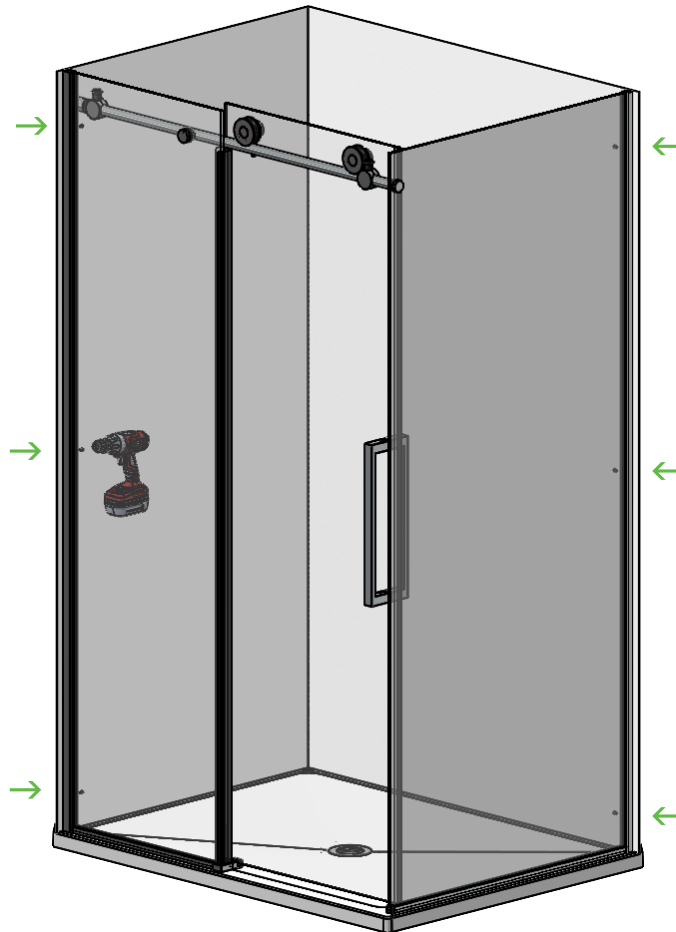
Assemble the Door Panel and Install.

1. Fit the Rollers to the Door Panel.
2. Fit the Handle to the Door Panel.
3. Lift the Door Panel onto the Door Rail ensuring the bottom of the Door engages within the Door Guide.
4. Remove the inside cover from off the wheel to access the adjustment cam. Rotate cam to lift or lower door. (take the weight of the door off the rollers while adjusting)



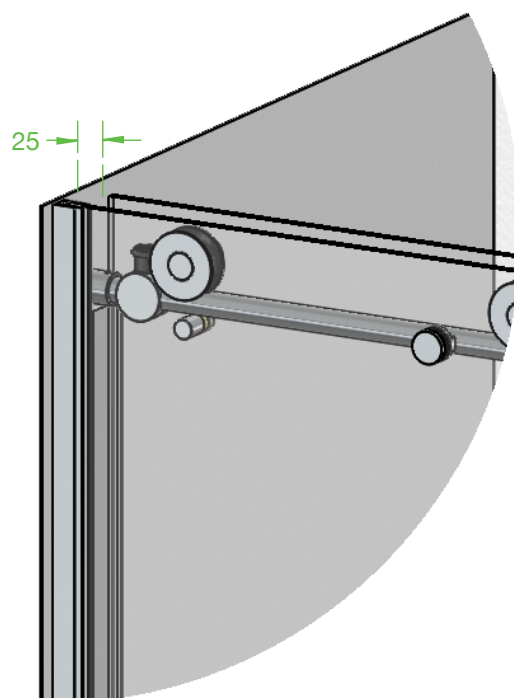
Secure Glass Panels to Wall Channels

1. Fasten the glass panels to the wall Channels on the inside with three 3.5 x 12mm screws, as indicated



Adjust Door Stops.

1. Adjust door stops. Ensure the door has a clearance of 25mm at wall and closing to return glass is also restrained by stop

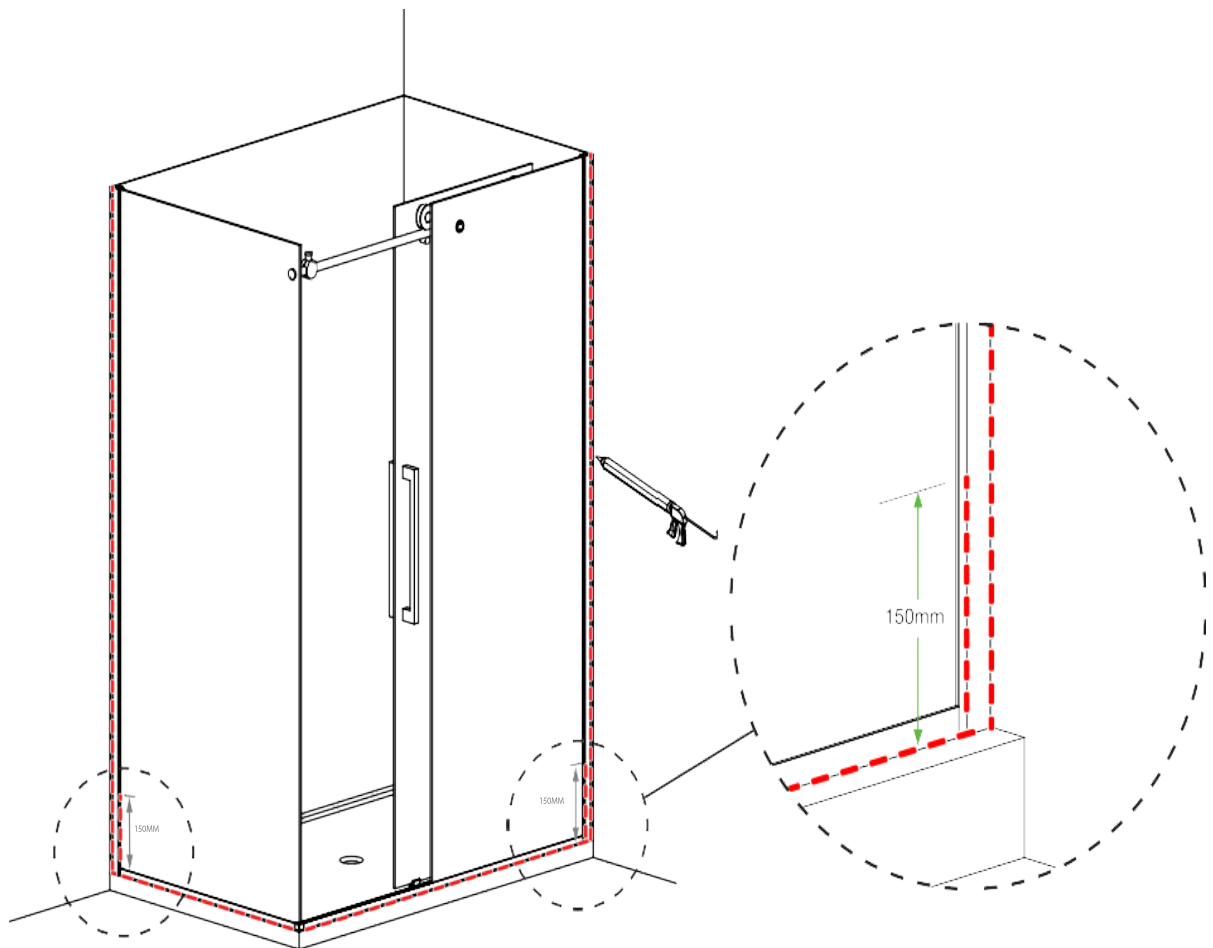


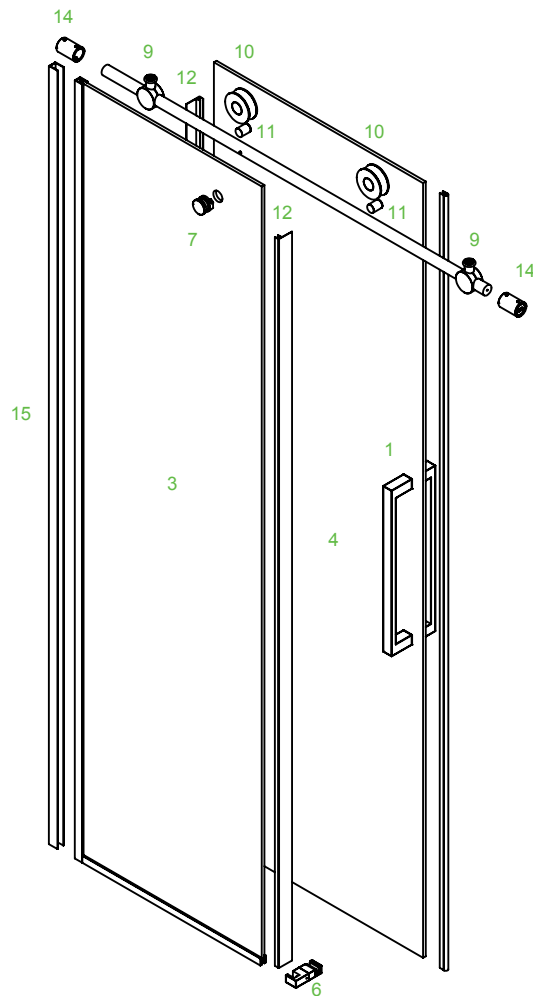
Fit the door seals

1. Fit the buffer seal to the front of the door. This should be cut full height
2. Fit the Wide F Seals to the back edge of the door, and the front edge of the Return, so they overlap when the door is shut. They need to be cut a little shorter than the height from the bottom of the door to just under the Door Pins

Apply Silicone

1. Apply silicone as per the dotted line
2. Leave for 24 hours to cure.





COMPONENTS LIST

REFERENCE	PART	PART NUMBER		QUANTITY
		CHROME	BLACK	
1	Door Handle	H5542.CR	H5542.BK	1
3	Fixed Panel			1
4	Door Panel			1
6	Lower Door Guide	H1363.CR	H1363.BK	1
7	Fixed Glass Rail Clip	H7239.CR	H7239.BK	1
8	Top Door Rail			1
9	Door Stops	H5634.CR	H5634.BK	2
10	Door Rollers	H5658.CR	H5658.BK	2
11	Door Lock Pins	H5610.CR	H5610.BK	1
12	Deflector Seals	I6112	I5612	2
13	Buffer Seal	I6105	I5605	2
14	Wall Bracket	H7253.CR	H7253.BK	2
15	Wall Channels	A6751.CR	A6751.BK	1
	Screw Pack	F4163.CR	F4163.BK	1

Wall Channel Positions for 3 sided showers

15

1. Mark the position of the wall channels as per the below specifications.

Note, with the 3 sided shower wall channel goes on fixed panel side of the shower only.

TABLE FOR ACRYLIC SHOWER

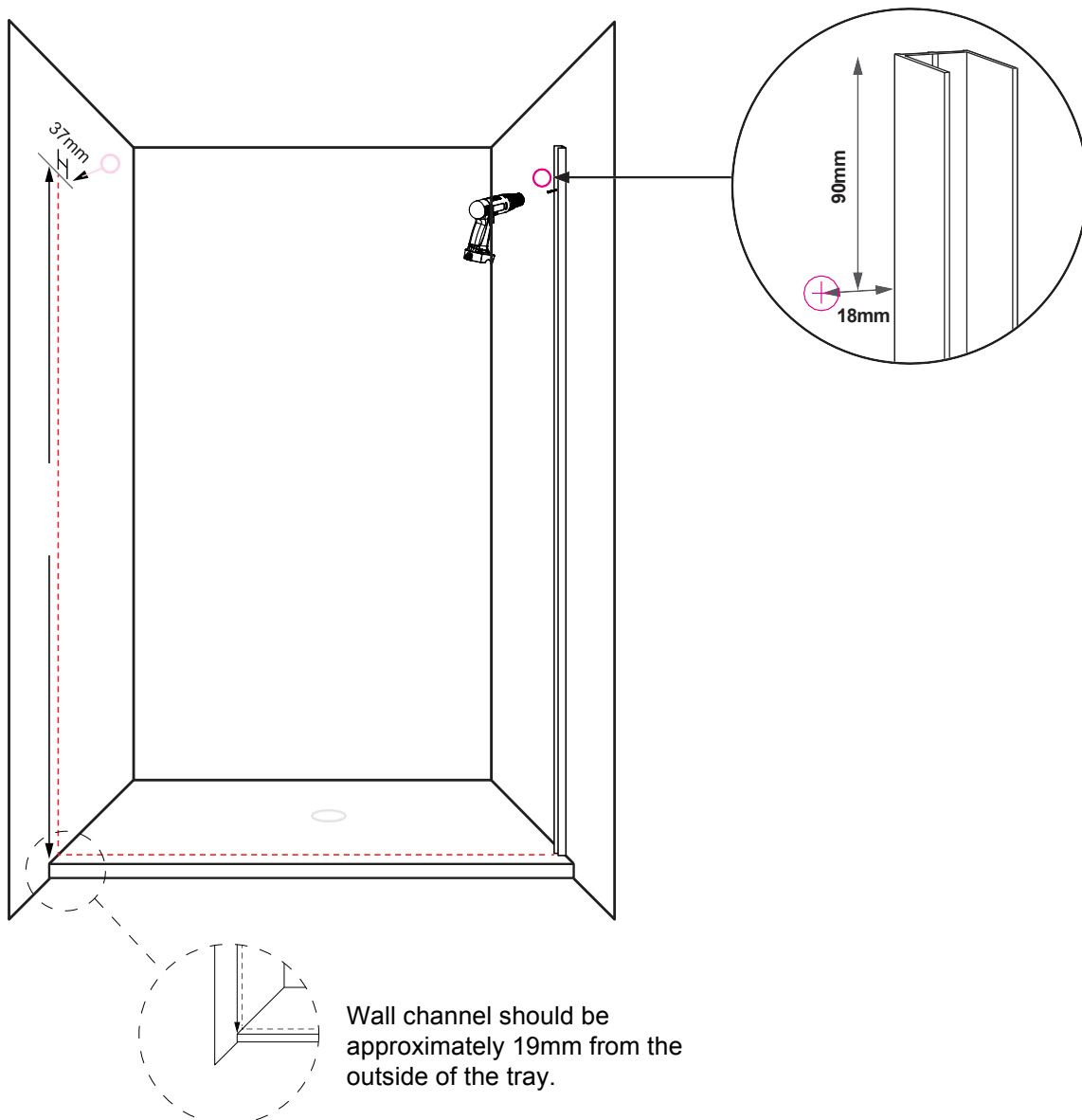
Acrylic Tray Width	Frame To Frame	Wall Board To Wall Board	Lining To Lining	Ravello Door Adjustment
1200	1200	1180	1174	1164 - 1174
1400	1400	1380	1374	1364 - 1374
1500	1500	1480	1474	1464 - 1474

TABLE OF TILED SHOWER

Tile Shower Width	Frame To Frame	Wall Board To Wall Board	Tile to Tile Approx.	Ravello Door Adjustment
1200	1220	1200	1170	1164 - 1174
1300	1320	1300	1270	1264 - 1274
1400	1420	1400	1370	1364 - 1374
1500	1520	1500	1470	1464 - 1474
1600	1620	1600	1570	1564 - 1574
1700	1720	1600	1670	1664 - 1674
1800	1820	1800	1770	1764 - 1774

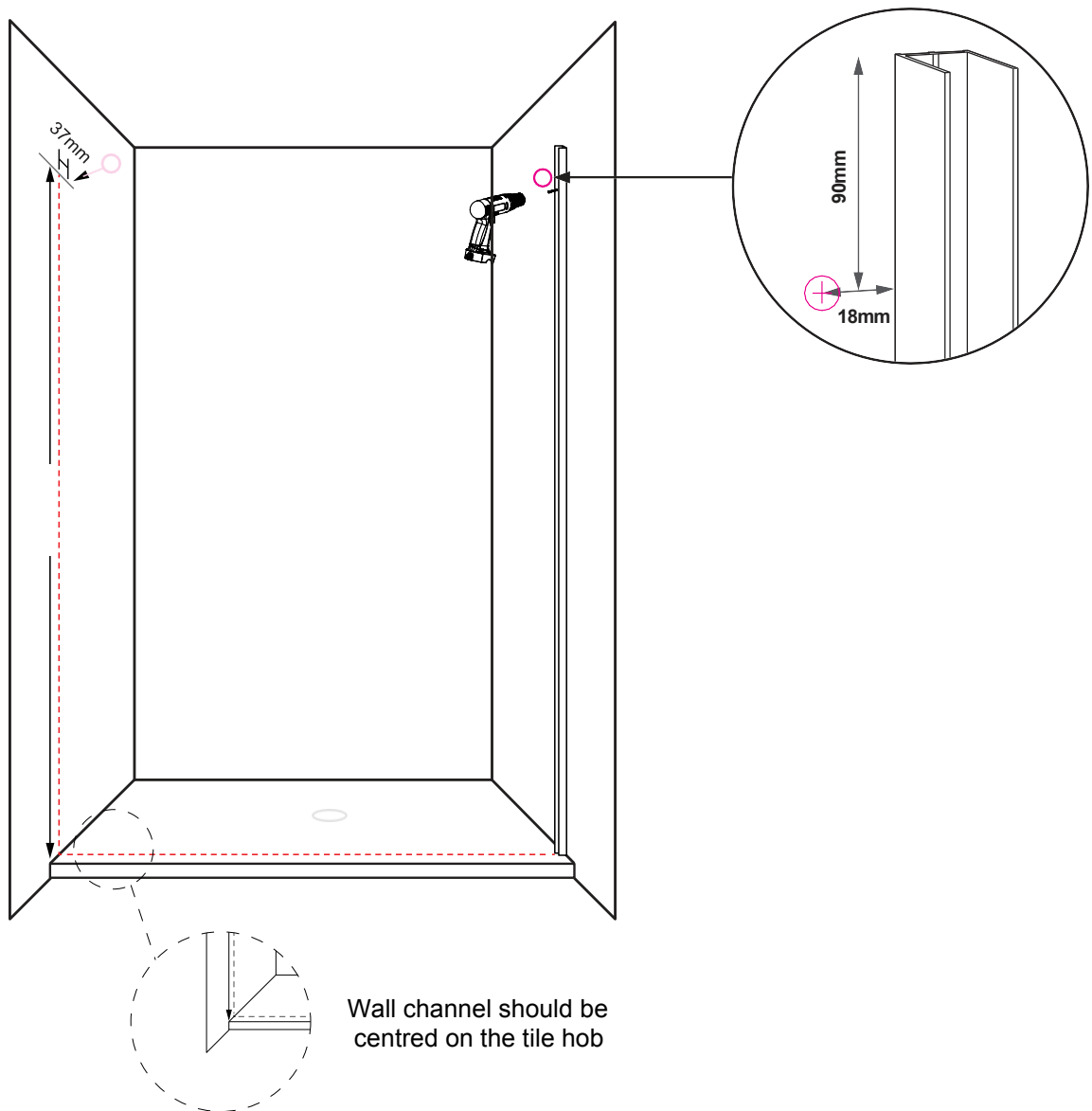
ACRYLIC INSTALLATION

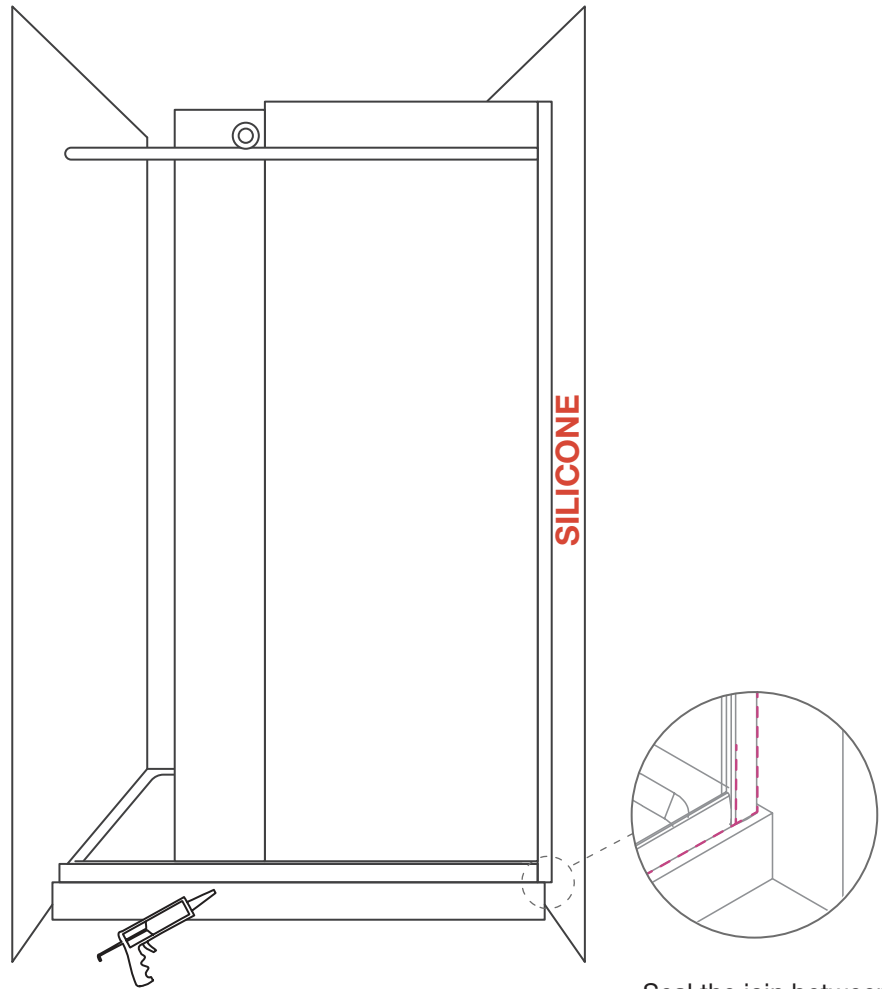
1. Pre-Drill 3 x 3mm holes in the back of the wall channel.
2. With the wall channel in position, drill a 2mm hole in the liner and framing behind.
3. Silicone back of wall channel, then secure in place with 3 screws.
4. Secure the Door Rail Wall Bracket in place. Pre-Drill a 3mm hole through the liner and into the timber and fix Rail Bracket base plate with screw provided
5. Turn back to page 7 and continue with the installation as per 2 sided door sets



TILE INSTALLATION

1. Silicone back of wall channel, then secure in place with masking tape.
2. Leave wall channel for 24 hours for silicone to cure.
3. Secure the Door Rail Wall Bracket in place. Pre- Drill a 5mm hole through the tile, and fix Rail Bracket base plate with screw provided
4. Turn back to page 7 and continue with the installation as per 2 sided door sets





Seal the joint between wall profile and frame, 150mm up from base on both sides.



Allow 24 hours for silicone to dry before use.